

INSTALLATION & MAINTENANCE MANUAL

OS008



230V
50Hz

IP
20

MLA
ACCESSORIES LTD



RoHS
COMPLIANT

CE



116

GENERAL INSTRUCTIONS

These instructions should be read carefully and retained after installation by the end user for future reference and maintenance.

These instructions should be used to aid installation of the following product:

OS008

SAFETY

- Installation of this sensor should only be carried out by a qualified electrician or competent person to the latest Building and current IEE Wiring Regulations (BS7671)
- Please isolate mains prior to installation/maintenance
- Check the total load on the circuit does not exceed the rating of the circuit cable, fuse or circuit breaker
- Please note the IP (Ingress of Protection) rating of this sensor when deciding the location for installation
- This product should be installed into an insulated enclosure or luminaire to complete a class II rating
- This product is IP20 rated

INSTALLATION

- Provide power to the required point of installation. Suitable IP rated junction boxes should be used where required
- We recommend a mounting height of 1.8m to 2.5m inside a luminaire
- Connect the sensor to the luminaire and mains supply via push-fit connectors ensuring the correct polarity is observed (see Fig 1)

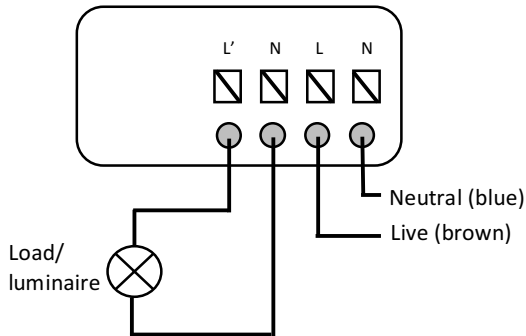


Fig 1

- Switch on power supply and check for correct operation

SENSOR LAYOUT

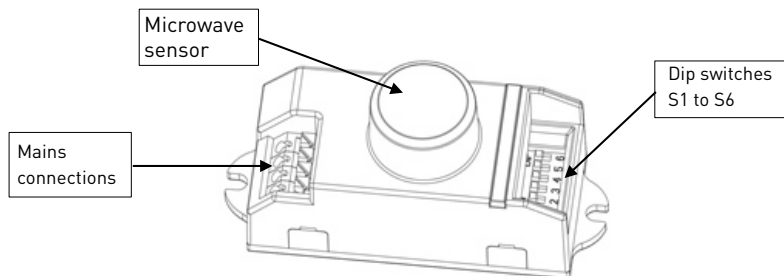
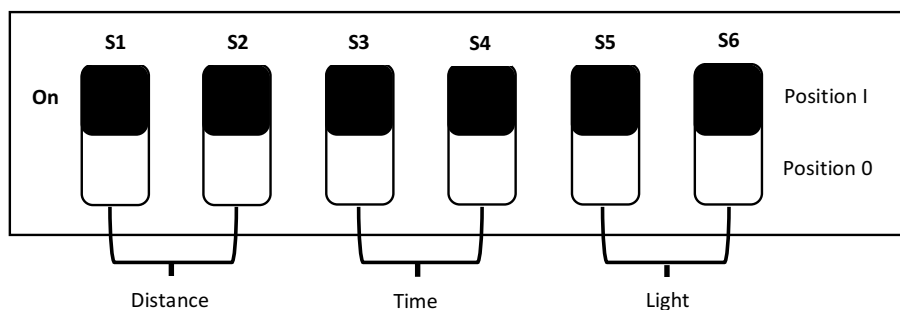


Fig 2

DIP SWITCH LAYOUT



Note: Switch on is Position I and off is Position 0

DISTANCE SETTING

Note: We recommend a mounting height of between 1.8 to 2.5m. The table below shows sensitivity distance in ideal conditions.

S1	S2	Distance	S1	S2	Distance
0	0	2m	I	0	6m
0	I	4m	I	I	8m

Time setting

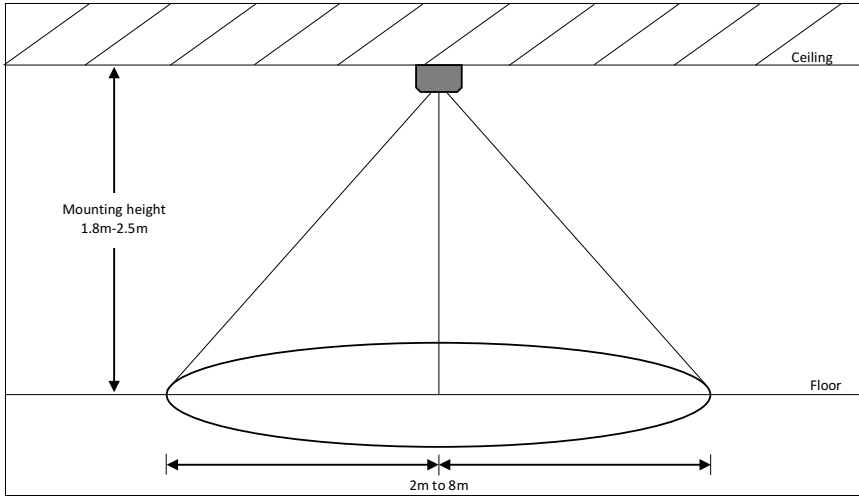
S3	S4	Time	S3	S4	Time
0	0	8sec	I	0	8min
0	I	3min	I	I	12min

Lighting control settings

S5	S6	Light	S5	S6	Light
0	0	24hr	I	0	30lx
0	I	50lx	I	I	10lx

This can be set to 'on all the time (24hrs)' or to a specific lux level

DETECTION DIAGRAM



WARNING

This product must be disconnected from the circuit if subjected to any high voltage or insulation resistance testing. Irreparable damage will occur if this instruction is not followed.

GENERAL

The unit should be recycled in the correct manner when it reaches the end of its life. Check local authorities for where facilities exist.

Clean with a soft dry cloth only, do not use aggressive cleaning products or solvents which may damage the sensor.

WARRANTY

This product has a warranty of 1 year from date of purchase. Failure to install this product in accordance with the current edition of the IEE Wiring Regulations, improper use, or removal of the batch codes will invalidate the warranty. If this product should fail within its warranty period it should be returned to the place of purchase for a free of charge replacement. ML Accessories does not accept responsibility for any installation costs associated with the replacement product. Your statutory rights are not affected. ML Accessories reserve the right to alter product specification without prior notice.

Knightsbridge[®]

the mark of quality



ML Accessories Limited
LU5 5TA
www.mlaccessories.co.uk

SBOCT16_V2