

INSTALLATION & MAINTENANCE MANUAL  
**VFRIC8 Series**

---



230V  
50Hz



IP  
65



# GENERAL INSTRUCTIONS

These instructions should be read carefully and retained after installation by the end user for future reference and maintenance.

These instructions should be used to aid installation of the following products;  
VFRIC8WW / VFRIC8CW

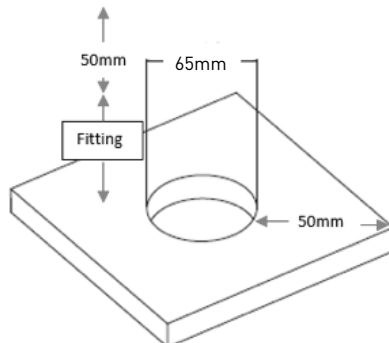
## SAFETY

- Installation of this luminaire should only be carried out by a qualified electrician or competent person to the latest Building and current IEE Wiring Regulations (BS7671)
- Please isolate mains prior to installation/maintenance
- Check the total load on the circuit (including when this luminaire is fitted) does not exceed the rating of the circuit cable, fuse or circuit breaker
- Please note the IP (Ingress Protection) rating of this luminaire when deciding the location for installation
- When used with an IC cage (VFRICC), Rockwool should be laid loosely unbroken over the fitting and not packed tightly
- We recommend a 50mm spacing around and above the fitting (for air dissipation) if not used with the VFRICC
- This product is Class II double insulated
- This product is dimmable
- This product is IP65 rated

## INSTALLATION

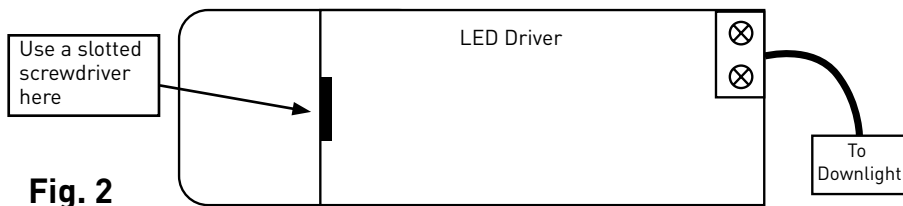
**Note: If this luminaire is being used in conjunction with external PIR or sensors, please confirm with the manufacturer of the sensors that they are compatible with LED luminaires.**

- Provide power to the required point of installation. Suitable IP rated junction boxes should be used where required
- Cut a suitable hole in the ceiling as per the cut-out details in Fig. 1 ensuring that it does not infringe with electrical cables, water/gas pipes or ceiling joists. We recommend a 50mm spacing around and above the fitting for air dissipation, if not used with the IC cage, See Fig. 1



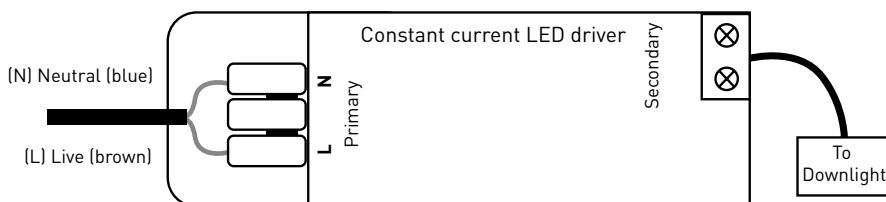
**Fig. 1**

- With the aid of a slotted screwdriver remove the cover to access the mains terminal block (see Fig. 2)



**Fig. 2**

- Connect the LED driver to the mains supply ensuring the correct polarity is observed (see Fig. 3). Live (brown) and Neutral (blue)



**Fig. 3**

- Fit a bezel onto the downlight by twisting into place
- Hold back springs and insert fitting into ceiling
- Switch on power supply and check for correct operation

### Additional Accessories

PART CODE	DESCRIPTION
VFR7EM	Emergency Conversion Kit
ICEMC	Emergency Conversion Connector Leads
VFRICC	IC cage
VFRICBEZW	Bezel white
VFRICBEZCBR	Bezel brushed chrome
VFRICBEZC	Bezel chrome

## WARNING

The product must be disconnected from the circuit if subjected to any high voltage or insulation resistance testing. Irreparable damage will occur if this instruction is not followed.

## WARNING

The product must be disconnected from the circuit if subjected to any high voltage or insulation resistance testing. Irreparable damage will occur if this instruction is not followed.

## GENERAL

The LED lamps fitted in this product are non-replaceable. The unit should be recycled in the correct manner when it reaches the end of its life. Check local authorities for where facilities exist.

Clean with a soft dry cloth only, do not use aggressive cleaning products or solvents which may damage the fitting.

## WARRANTY

This product has a warranty of 5 years from date of purchase. Failure to install this product in accordance with the current edition of the IEE Wiring Regulations, improper use, or removal of the batch codes will invalidate the warranty. If this product should fail within its warranty period it should be returned to the place of purchase for a free of charge replacement. ML Accessories does not accept responsibility for any installation costs associated with the replacement product. Your statutory rights are not affected. ML Accessories reserve the right to alter product specification without prior notice.



**ML Accessories Limited**  
**LU5 4LT**

[www.mlaccessories.co.uk](http://www.mlaccessories.co.uk)

DCOCT18\_V3