



Motor protection
circuit breaker
SM1P

Product designation

Product type designation

Electrical features

Number of poles	Nr.	3
Magnetic protection		yes
Thermal protection		yes
Phase failure detection		yes
Rated insulation voltage Ui IEC/EN	V	690
Rated impulse withstand voltage Uimp	kV	6
Rated frequency	Hz	50/60
Thermal trip adjustment range		6.3...10
Rated current (In)	A	10
Magnetic tripping		13 x In
Total power dissipation	W	2.61

Operational short-circuit current breaking capacity (Ics) at AC

230V	kA	100
400V	kA	100
440V	kA	13
500V	kA	13
690V	kA	3

Maximum short-circuit current breaking capacity (Icu) at AC

230V	kA	100
400V	kA	100
440V	kA	25
500V	kA	25
690V	kA	3

Tripping class

10A

IEC Utilization category

A

Operations

Mechanical life	cycles	100000
Electrical life	cycles	100000

Mechanical features

Tightening torque for terminals

min	Nm	2.5
max	Nm	3
min	lbin	1.8
max	lbin	2.2

Max number of wires simultaneously connectable

Nr. 2

Conductor section

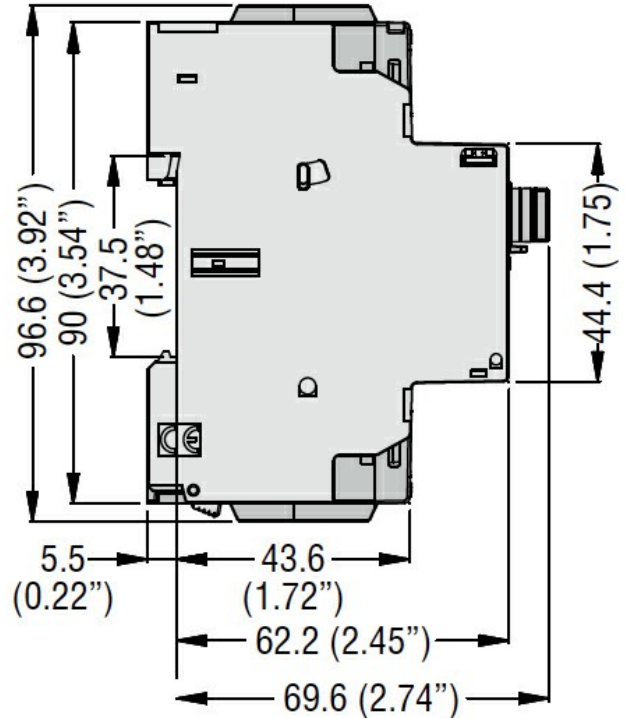
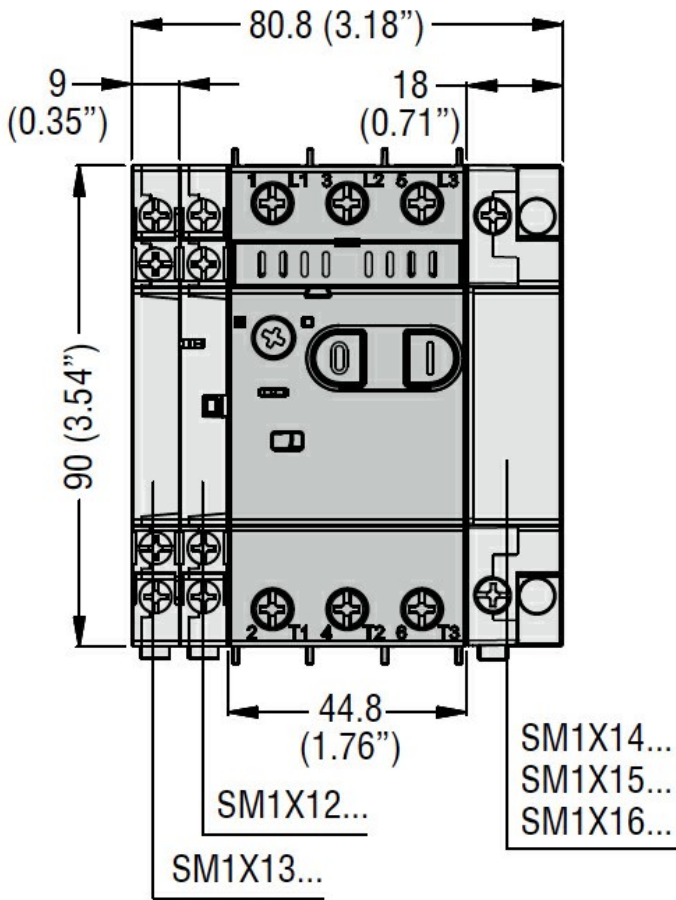
AWG/Kcmil

min		16
max		8

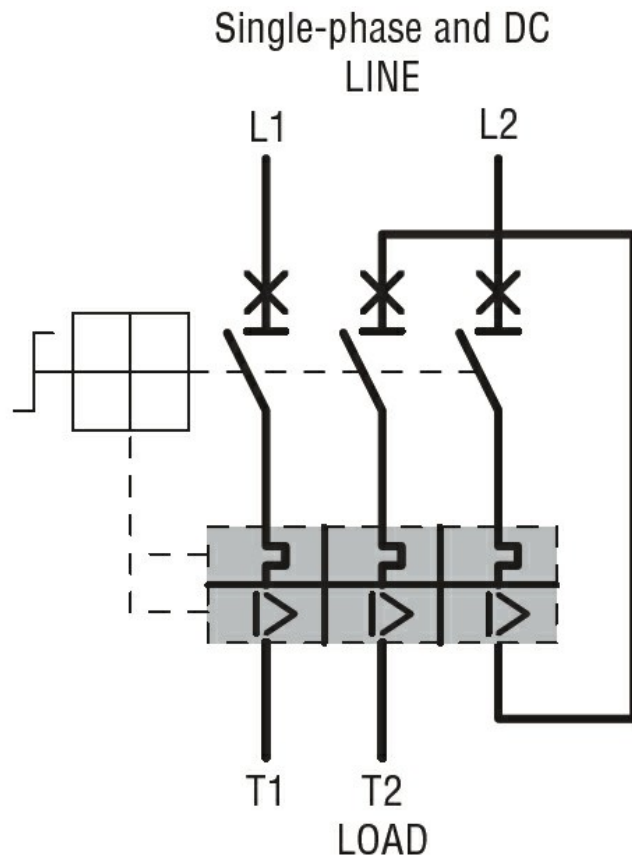
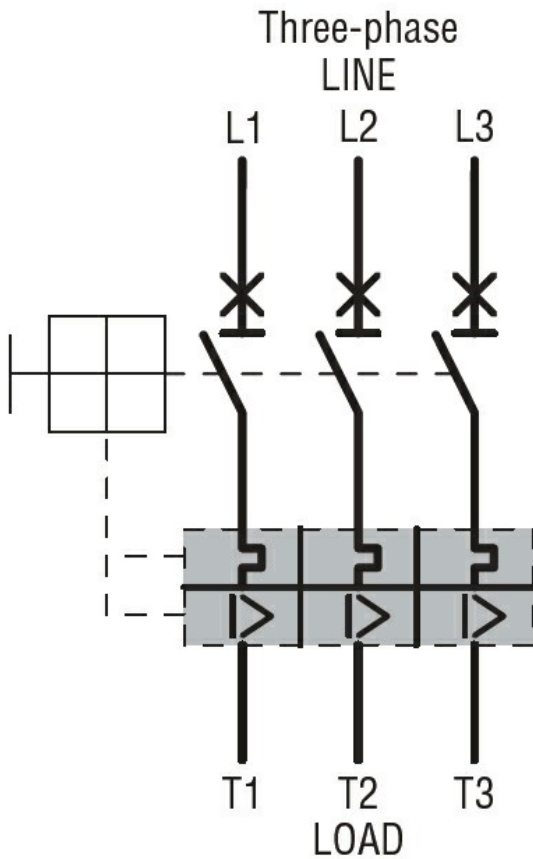
Flexible w/o lug conductor section

min	mm ²	1
-----	-----------------	---

Flexible c/w lug conductor section	min	mm ²	1
Flexible with insulated spade lug conductor section	min	mm ²	1
Screwdriver			PH2
Power terminal protection according to IEC/EN 60529			IP20
Cable stripping length	main circuit	mm	1
Ambient conditions			
Temperature			
Operating temperature	min	°C	-20
	max	°C	+60
Storage temperature	min	°C	-50
	max	°C	+80
Compensation temperature	min	°C	-20
	max	°C	+50
Max altitude		m	3000
Operating position	normal allowable	Vertical plan	Any
Fixing		Screw / DIN rail	35mm
Weight		g	350
UL technical data			
Motor Disconnect	at 240V	kA	30
	at 480V	kA	30
	at 600V	kA	30
	protection		100A class J
Group Motor Installation	at 240V	kA	30
	at 480V	kA	30
	at 600V	kA	30
	protection		100A class J
Tap Conductor Protection	at 480Y/277V	kA	50
	at 600Y/347V	kA	50
UL508 / UL 60947-4-1 Manual Self Protected Combination Motor Controller (Type E) Short circuit current	at 240V	kA	50
	at 480Y/277V	kA	50
	at 600Y/347V	kA	50
Maximum UL/CSA horsepower ratings single-phase	110V-120V	HP	1/2
	220V-240V	HP	1.5
Maximum UL/CSA horsepower ratings three-phase, 3-pole	200V-208V	HP	2
	220V-240V	HP	3
	440V-480V	HP	5
	550V-600V	HP	7.5
Dimensions			



Wiring diagrams



Certifications and compliance

Certifications

CSA C22.2 n° 14

IEC/EN 60947-1

IEC/EN 60947-2

IEC/EN 60947-4-1

UL508

Compliance

cULus

EAC