



INSTALLATION & MAINTENANCE MANUAL

RW6WW / RW6CW / RW6CCT

GENERAL INSTRUCTIONS

These instructions should be read carefully and retained after installation by the end user for future reference and maintenance.

**These instructions should be used to aid installation of the following products:
RW6WW / RW6CW / RW6CCT**

SAFETY

- This product must be installed in accordance with the latest edition of the IEE Wiring Regulations (BS7671) and current Building Regulations. If in any doubt, consult a qualified electrician
- Please isolate mains prior to installation or maintenance
- Check the total load on the circuit (including when this luminaire is fitted) does not exceed the rating of the circuit cable, fuse or circuit breaker
- Please note the IP (Ingress Protection) rating of this product when deciding the location for installation
- If used under insulation, the insulation should be laid unbroken over the luminaire (not packed around it). Only mineral wool style insulation may be used
- This product is for indoor use only
- This product is Class I and must be earthed
- This product is IP65 rated (IP20 from above)

INSTALLATION

Note - If this product is being used in conjunction with an external PIR or sensor, please confirm with the manufacturer of the sensors that they are compatible with LED luminaires.

- Provide power to the required point of installation
- Cut a suitable hole in the mounting surface as per the cut-out details (see Fig. 1) ensuring not to infringe with any joists, gas/water pipes or electrical cables

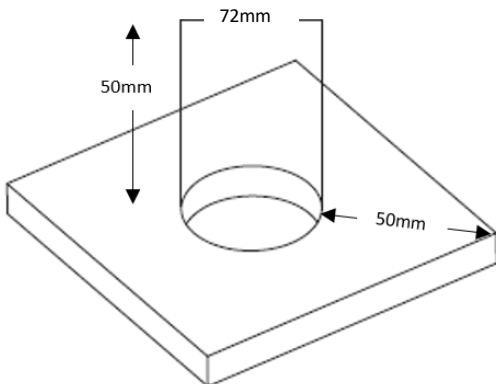


Fig. 1

- With the aid of a cross-head screwdriver, remove the cover to access the mains terminal block (see Fig. 2)

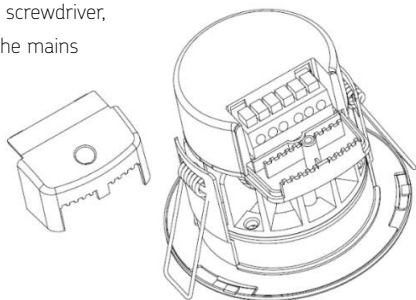


Fig. 2

- Connect the luminaire to the mains supply ensuring that correct polarity is observed:
L - Live (brown) E - Earth (yellow/green) and N - Neutral (blue) (see Fig. 3)
- Two cables can be inserted into the push-fit terminal block in order to achieve loop in/loop-out wiring

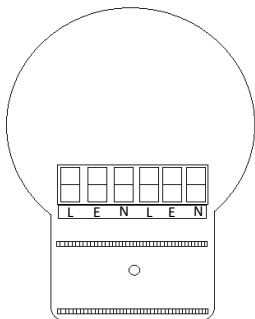


Fig. 3

- Lift both of the spring clips on the sides of the fitting and push into the ceiling
- Switch on and check for correct operation

ADJUSTABLE CCT FITTING ONLY (RW6CCT)

COLOUR CHANGE

- To change the colour temperature of the fitting, switch the fitting on, off, and on again within 2 seconds. Repeat this switching cycle until desired colour temperature has been achieved (see Fig. 4)

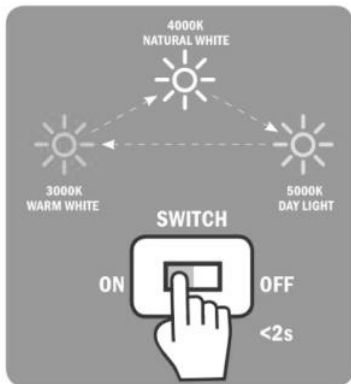


Fig. 4

WARRANTY

This product has a warranty of 5 years from date of purchase. Failure to install this product in accordance with the current edition of the IEE Wiring Regulations (BS7671), improper use, or removal of the batch code will invalidate the warranty. If this product should fail within its warranty period, it should be returned to the place of purchase for a free of charge replacement. ML Accessories does not accept responsibility for any installation costs associated with the replacement product. Your statutory rights are not affected. ML Accessories reserve the right to alter product specification without prior notice.

MEMORY FUNCTION

- The luminaire will always remain the same colour temperature until the above switching cycle has been carried out

RESET FUNCTION

- To reset the fittings back to warm white, turn on the fittings and leave them on for 5 seconds
- Switch the fittings off/on 4 times within 6 seconds
- Upon the 4th "on" switch, all luminaires will revert back to warm white

WARNING

This product must be disconnected from the circuit if subjected to any high voltage or insulation resistance testing. Irreparable damage will occur if this instruction is not followed.

GENERAL

Clean with a soft dry cloth only, do not use aggressive cleaning products or solvents which may damage the product.

This product is dimmable using trailing edge dimmers, please check compatibility before installation.

The light source of this luminaire is not replaceable; when it reaches its end of life the whole luminaire should be replaced.

This product should be recycled in the correct manner when it reaches the end of its life. Check local authorities for where facilities exist.

**INTERNATIONAL
CONTACT DETAILS**



ML Accessories Limited LU5 4LT
www.mlaccessories.co.uk