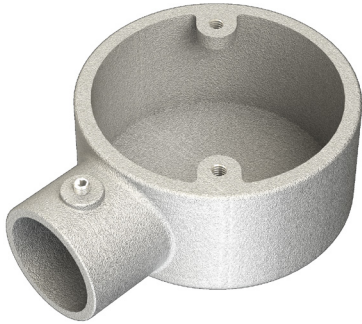


**PRODUCT CODE: CL8G**  
CONLOK® MALLEABLE CONDUIT BOX



**DESCRIPTION**

25mm Malleable Conlok® Terminal Conduit Box

**FINISH**

Hot Dipped Galvanised

**MATERIAL**

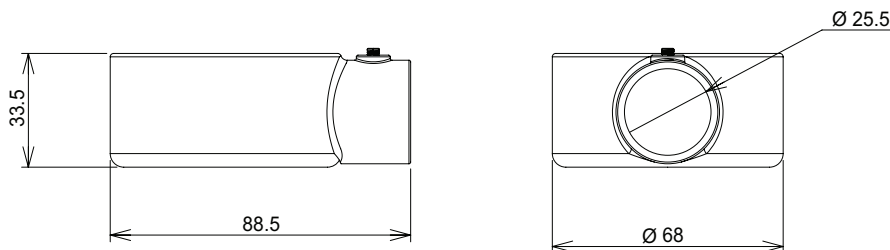
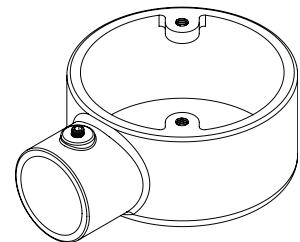
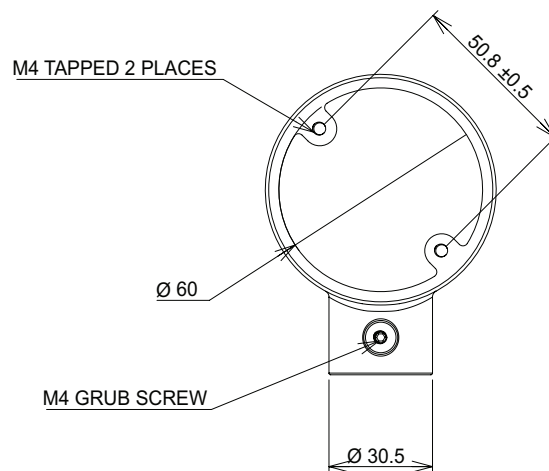
Malleable Iron

**PACKAGING**

Packed in qty 10

**ADDITIONAL NOTES**

Conforms to BS EN61386-21:2004  
Supplied with 12.9 Grade Grub Screw  
1 x Allen key is supplied in each inner box



Values are nominal and with a general tolerance  $\pm 5\%$  unless otherwise specified