

PRODUCT CODE: CL20MB
CONLOK® MALLEABLE CONDUIT BOX



DESCRIPTION

20mm Conlok® Solid Bend

FINISH

Hot Dipped Galvanised

MATERIAL

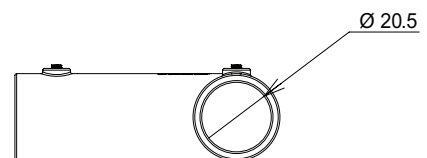
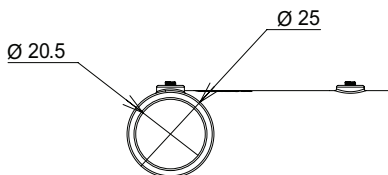
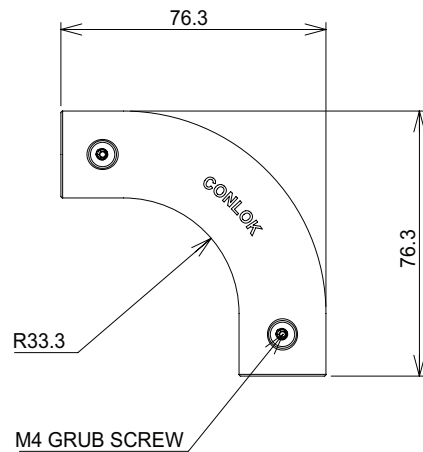
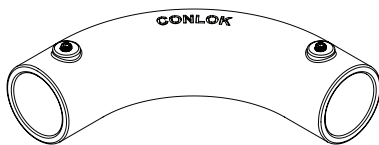
Malleable Iron

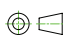
PACKAGING

Packed in qty 20

ADDITIONAL NOTES

Conforms to BS EN61386-21:2004
Supplied with 12.9 Grade Grub Screw
1 x Allen key is supplied in each inner box



 Values are nominal and with a general tolerance $\pm 5\%$ unless otherwise specified