

6W Fire Rated LED Downlight

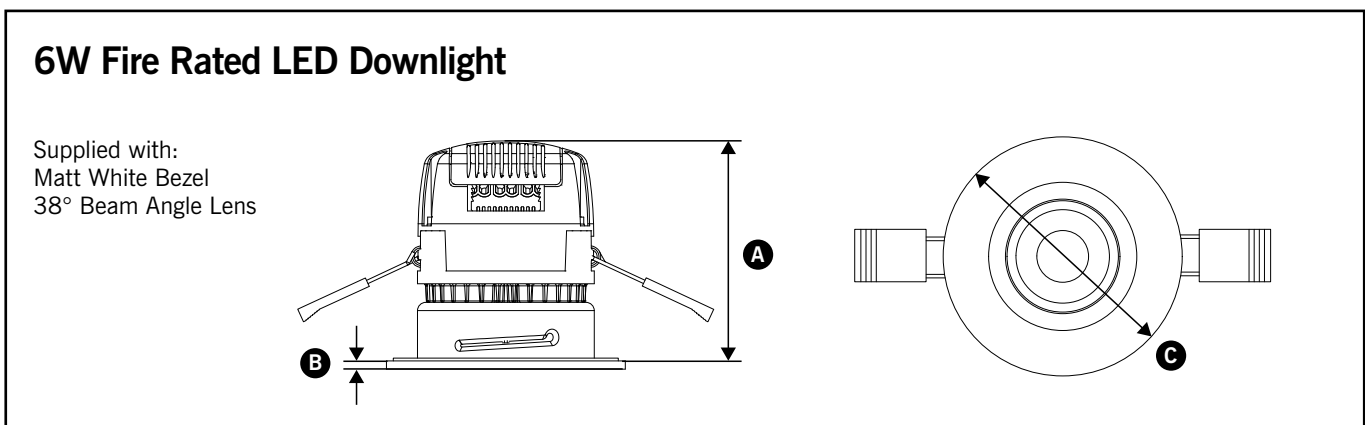
Installation Instructions



Please read these instructions carefully before installation
 Leave a copy for the user/maintenance engineer for future reference

Important Safety Information

- It is recommended that this luminaire is installed, inspected and maintained by a qualified electrician.
- Installation should be carried out in accordance with the latest edition of the IEE Wiring Regulations (BS 7671) and the latest Building Regulations. If in doubt, consult a qualified electrician.
- These products are designed for connection to a 220-240V~50/60Hz supply.
- Before commencing any installation or maintenance work, ensure that the electrical mains supply is isolated and circuit fuses are removed or switched off.
- Ensure that all electrical connections are tight with no loose strands including factory made connections.
- This product is Fire Rated and suitable for 30, 60 and 90 minute plasterboard ceilings.
- Mineral wool insulation material can be loosely laid across the luminaire but not compressed.
- Please note the IP rating of this luminaire when deciding the location for installation. IP65 (Below the ceiling), IP20 (Recessed parts).
- This luminaire is suitable for indoor use only.
- This product is dimmable. Dimmer type compatibility and Min/Max wattage recommended loadings must be observed.
- This is a Class I product which must be earthed.
- This luminaire is suitable for use in ambient temperatures of -10°C to +40°C.
- MCBs may require to be updated to allow for increased initial inrush current.
- Do not carry out any insulation resistance tests with the luminaire connected to the circuit.
- The LED light source fitted in this product is non replaceable. The whole luminaire must be replaced when the LED reaches the end of its life.



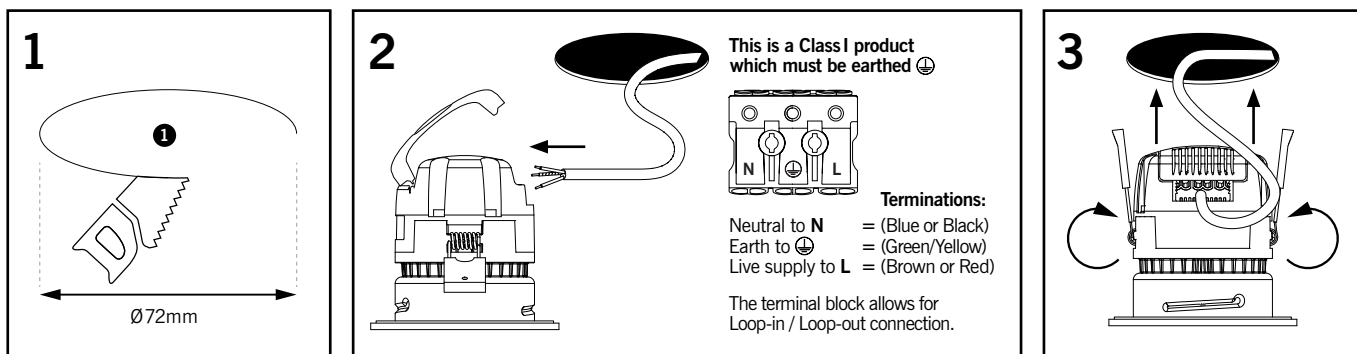
Technical Specifications

Part No.	Description	Wattage	Measurement A x B x C	Cut Out Diameter	Lumen Output	IP Rating	Power Factor	CRI	Class Rating	Colour Temperature
Fitting										
LXFRD6WW/MWB	Fire Rated Downlight	6W	80 x 4 x 87mm	72mm	550Lm	IP65	> 0.80	> 80	Class I	3000K
LXFRD6NW/MWB	Fire Rated Downlight	6W	80 x 4 x 87mm	72mm	550Lm	IP65	> 0.80	> 80	Class I	4000K
LXFRD6CW/MWB	Fire Rated Downlight	6W	80 x 4 x 87mm	72mm	550Lm	IP65	> 0.80	> 80	Class I	6000K

Important Installation Information

Always switch off the mains power supply before installation or servicing. Ensure that there is adequate free air ventilation around the luminaire at all times. Do not install this product into damp or newly plastered ceilings.

- This luminaire should be mounted on a flat, smooth surface. Ensure that the mounting area is clean and free from any obstructions. The installation must not infringe on gas/water pipes or any other electrical cables or services which may be hidden behind the ceiling.
- This product is rated IP65 and is suitable for installation in bathroom zones 1 and 2 as defined by the National Wiring Regulations.



- 1) Select the required mounting position in the ceiling and cut out a circular hole 72mm in diameter. Do not exceed the cutting diameter and ensure that cut outs are spaced adequately to provide clearance from any joists, beams or cables within the ceiling void.
- 2) Pull the mains supply cable through the hole, open the terminal block cover and remove the cable restraint bar. Connect the mains cable into the luminaire terminals ensuring that the correct polarity is observed. Replace the cable restraint bar to secure the cable and close the terminal block cover.
- 3) Feed the excess mains supply cable back through the hole and into the ceiling void. With the spring clips held in the upward position, insert the luminaire through the cut out hole and into the ceiling void, take care not to trap any cables. The spring clips will locate onto the top of the ceiling surface to provide a secure installation. Ensure that the rubber seal ring is securely in place on the back of the bezel housing and that the luminaire is fitted centrally to the cut out hole. Reconnect the mains power supply and test the installation for correct and satisfactory operation.

- This luminaire can be loosely covered with mineral wool insulation material. However, minimum clearance distances around the luminaire must be observed: 25mm above the top of the luminaire, 75mm to all sides of the luminaire and 0.5m minimum distance between luminaires.
- When removing the luminaire for maintenance, changing bezels or lens type allow sufficient time for the product to cool before handling.

Optional Accessories

The colour bezels and beam angle lenses can be changed if required.

- 1) Rotate the fixed outer bezel and pull it away from the luminaire.
- 2) Twist the inner lens cover and remove it together with the clear lens optic.
- 3) Insert the required lens optic and replace the inner lens cover into the selected outer bezel.
- 4) Rotate the selected bezel and lens back onto the front of the luminaire.
- 5) Ensure that the inner lens and outer bezel rubber seals are secure and correctly positioned to maintain the IP65 rating of the luminaire.

Part No.	Description
Bezel	
LXFRD6/BCB	Brushed Chrome Bezel
LXFRD6/PCB	Polished Chrome Bezel
LXFRD6/BRB	Polished Brass Bezel
LXFRD6/MBB	Matt Black Bezel
Lens	
LXFRD6/60L	60° Beam Angle Lens
LXFRD6/15L	15° Beam Angle Lens
LXFRD6/WWL	Wall Wash Asymmetric Lens

Warranty

This product is guaranteed in the EU for a period of 5 years from the date of purchase. The guarantee is invalid in the case of improper use, installation, tampering, removal of the QC/batch code label, installation in an improper working environment or installation not according to the current edition of the IEE Wiring Regulations (BS 7671). Should this product fail during the guarantee period it will be replaced free of charge, subject to correct installation and return of the faulty unit. Luxna Lighting does not accept responsibility for any installation costs associated with the replacement of this product. Your statutory rights are not affected. Luxna Lighting reserves the right to alter product specifications without prior notification.