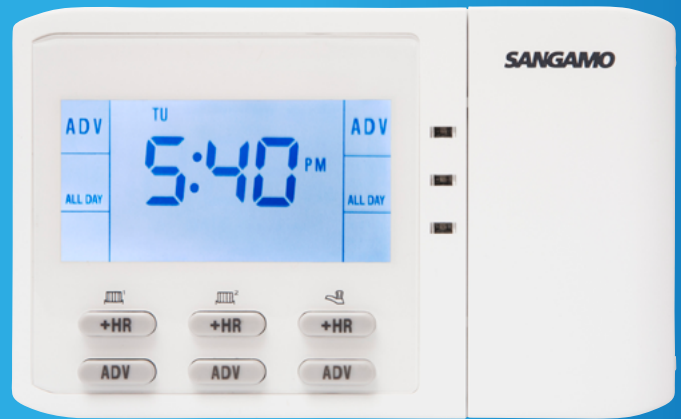


Choice PR3n 3 Channel Programmer



Benefits

The Choice PR3n is a three channel programmer, offering three completely independent time controlled channels. Ideal for control of 2 individual heating zones and separate hot water control. The multi-channel capabilities enables installers to comply with Part L of the amended Building Regulations by providing separate time and heating control for living and sleeping areas whilst also providing timed control of hot water.

The programmer can be configured for 24 hour, 5/2 day or 7 day operation, and the flexibility of up to three on/off timings per day.

- Preprogrammed but can easily be changed to suit your particular lifestyle
- Large and clear to read illuminated display
- Attractive modern design that will suit all contemporary homes
- Suitable for pumped systems

Features

- 24 hour, 5/2 day and 7 day selectable
- 2 or 3 ON/OFF periods selectable
- 1,2 or 3 hour boost
- Advance to next programmed event
- Automatic Summer/Winter time change
- Factory set time & date
- Program options - ON, OFF, All day or Auto
- Mains powered with battery backup
- Standard wall plate - simple plug in and replace
- Suitable for pumped heating systems

Applications

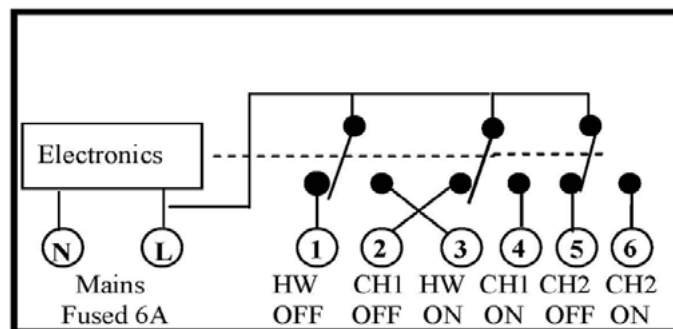
- Choice PR3n fits most common industry standard backplates, which means it will replace most equivalent programmers on the market. It has the ability to control two heating zones, as well as hot water. The Choice PR3 is the ideal programmer to meet the requirements of Building Regulations Part L for dwellings over 150m² (Part J in Scotland and Part F in Northern Ireland).

Technical Data

Power Supply:	230V AC, 50Hz
Operating Temperature:	0°C to 40°C
Total Switch Rating:	230V AC, 2(1)A (per channel)
Contact Type:	1B , Micro-Disconnection (Voltage Free)
Battery Type:	Lithium Cell CR2032
Enclosure Protection:	IP30
Plastics:	Thermoplastic, flame retardant
Insulation Class:	Double
Wiring:	For fixed wiring only
Backplate:	Industry standard
Dimensions:	140mm x 87mm x 37mm
Clock:	12 hour am/pm, 1 minute resolution, accuracy +/- 1.5 sec/day
BST/GMT time change:	Automatic
Program Cycle:	24hr, 5/2day or 7day selectable.
Program On/off per day:	2on/off, 3on/off selectable,
Program resolution:	10mins
Program Selection:	Auto, On all day, On constant, off
Program Override:	1, 2 or 3 hour, Advance
Heating System:	Pumped
Complies with :	EN60730-1, EN60730-2.7, EMC Directive 2004/108/EC, LVD Directive 2006/95/EC

Electrical Connections

Internal Wiring Diagram



Technical Helpline: 01475 745131

CUSTOMER CARE POLICY

As part of Sangamo's continuous improvement program, the Company operates a Customer Care Policy. This means that we welcome your comments and complaints, as it can only help us to improve our services to you, our customer.

SANGAMO

Sangamo Limited, Industrial Estate, Port Glasgow,
Renfrewshire PA14 5XG

Tel: 01475 745131 Fax: 01475 744567

Email : enquiries@sangamo.co.uk Web: www.sangamo.co.uk