



The **NexLED** bulkhead delivers an instant bright white light. Designed for low profile applications, the bulkhead can be mounted on walls, handrails and ceilings making it ideal for walkways or restricted height areas. Its excellent temperature range of -45°C to +55°C makes it a global lighting solution providing high quality lighting at extreme temperatures. Green LED option is also available.

The **NexLED emergency** option provides emergency battery backup to ensure continued operation in the event of a power outage. Benefits from the same features as the standard NexLED and is also available as a low temperature version for operation down to -45°C.

## Mounting Options

- Ceiling
- Wall
- Recessed
- Pole/Stanchion
- Bulkhead



## Standard Specification

NexLED Ex e LED bulkhead

<b>Type of Protection</b>	Ex e mb (Increased Safety, Encapsulation)
<b>ATEX Classification</b>	Group II Category 2 GD
<b>Area Classification</b>	Zone 1 and Zone 21 areas to EN 60079-10-1 and EN 60079-10-2 with installation to EN 60079-14
<b>Certificate</b>	EC Type Examination Certificate Baseefa04ATEX0245 IECEX Certificate of Conformity IEC Ex BAS09.0062
<b>Coding</b>	Ex e ib mb IIC T4 Ex e mb IIC Ex e tb IIIC T95°C Db IP6X Ex de IIC T4 (ATEX ONLY)**
<b>Enclosure</b>	Aluminium LM6 body, RAL-9005 black epoxy paint finish with toughened glass and silicone gasket
<b>Reflector</b>	Brushed aluminium
<b>Entry</b>	3 x M20 cable entries
<b>Termination</b>	3 core 4mm <sup>2</sup> max conductor with looping
<b>Installation</b>	Surface mounted, 4 mounting holes located outside seal
<b>Control Gear</b>	Electronic Driver
<b>Colour Temperature (CCT)</b>	4100K (Neutral White)
<b>Maintenance</b>	M6 Slotted Screws
<b>Battery</b>	Internal Ni-Cd (4.2V) (Emergency only)
<b>Emergency Duration</b>	801 version = 90 mins, 201 version = 3 hours (100% output)
<b>Ingress Protection</b>	IP66/67 to EN 60529
<b>Surge Protection</b>	4KV
<b>Electrical Supply</b>	110-254V AC/DC 50/60HZ

## Features

- ◆ Installation to gas groups **IIA, IIB and IIC**
- ◆ Highly visible, **instant light**
- ◆ **Easy to install and maintain**
- ◆ **Ultra long life, no re-lamping required**
- ◆ Over **60,000 hours\*** continuous operation
- ◆ Very low **power consumption**
- ◆ Highly **Energy Efficient**

\* 60,000 hours expected at 40°C ambient (L70/B10)



**LED SOLUTIONS**  
For Harsh & Hazardous Locations



Product design and specifications are subject to change without notice. Please check the Chalmit website for latest specifications. [www.chalmit.com](http://www.chalmit.com)



MADE IN BRITAIN

Std. Cat No.	Delivered Output	Power Consumption	TClass	T°C (Dust)	Ambient °C	Weight
<b>NELE/201/LE</b>	123 lm	6W	T4	95	-45 to +55	4.0kg
<b>NELE/401/LE/24**</b>	247 lm	8W	T4	95	-45 to +55	4.1kg
<b>NELE/801/LE</b>	494 lm	15W	T4	95	-45 to +55	4.1kg
<b>NELE/201/LE/EM</b>	125 lm	6W	T4	95	-20 to +55	4.7kg
<b>NELE/801/LE/EM</b>	494 lm	15W	T4	95	-20 to +55	4.7kg

Note: \*\* 24V Supply is for ATEX only

Options - Suffix to Catalogue No.

<b>/GDE</b>	Green LED's	<b>/LT</b>	Low temperature to -45° (Emergency)
-------------	-------------	------------	-------------------------------------

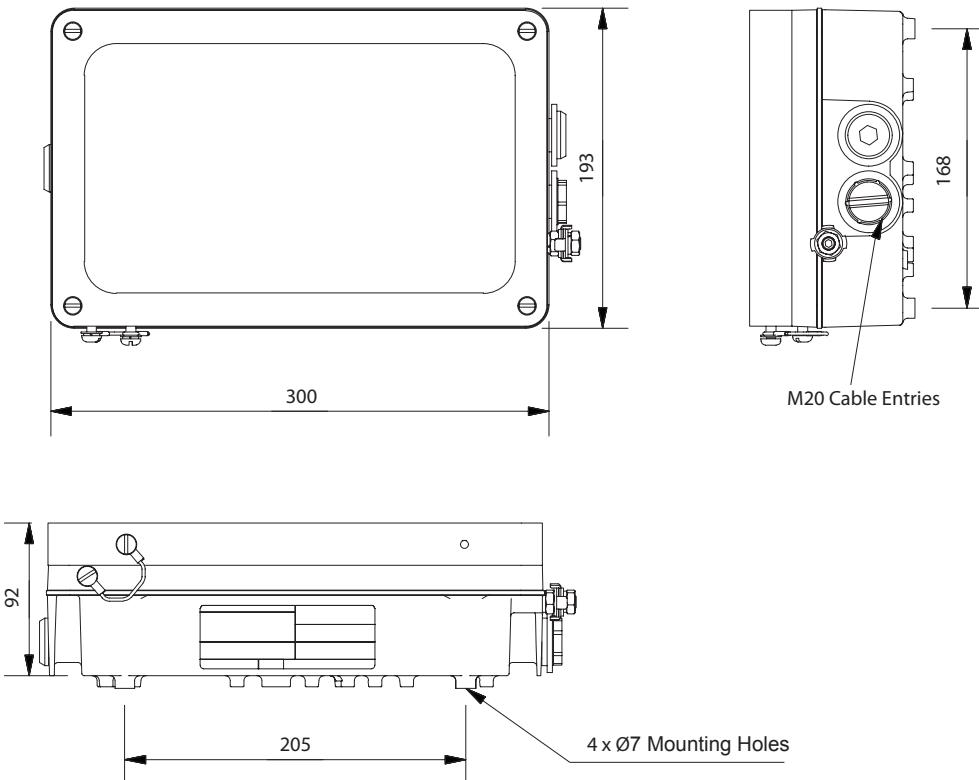
### Accessories

Accessories should be ordered separately

Order Code

<b>Exit sign kit (supplied with up, down, left and right labels*)</b>	<b>SNEL1-0008</b>
---	-------------------

\*Other signage options available upon request, please contact Chalmit® sales.



**LED SOLUTIONS**  
For Harsh & Hazardous Locations



Harsh & Hazardous