



Consumer

# 100A Metal Fused Switch 1P+N

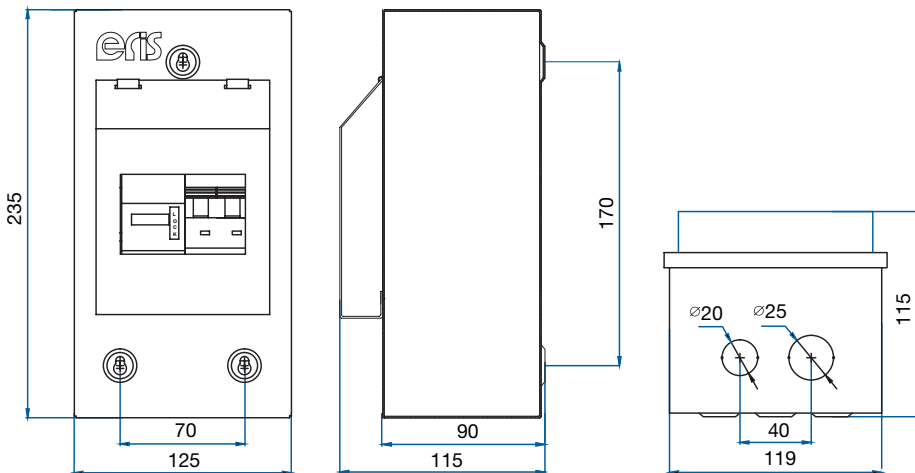
## Specifications and Dimensions

Part No: ERS100MFS

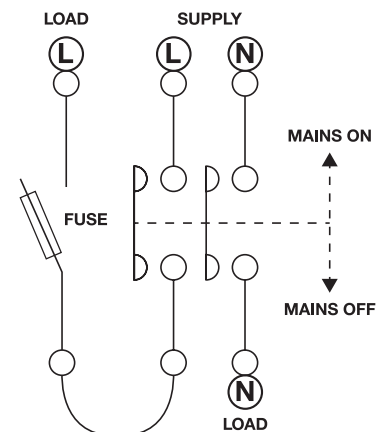
- 230VAC, 50Hz
- Supplied with 63A, 80A, 100A Fuses
- Amendment 3 Compliant
- Ingress Protection: IP20



### Dimensions



### Wiring diagram



AER, Zac du Caillou, Rue Jules Verne, 69630 Chaponost, France

[eris-eu.com](http://eris-eu.com) [sales@eris-eu.com](mailto:sales@eris-eu.com)