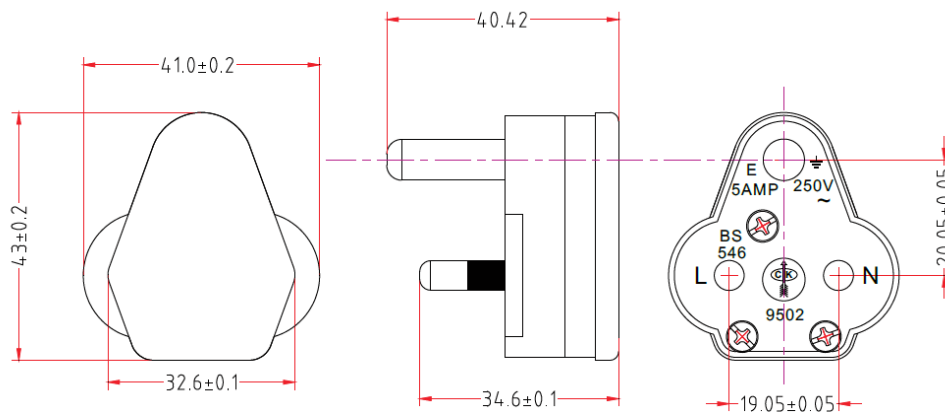
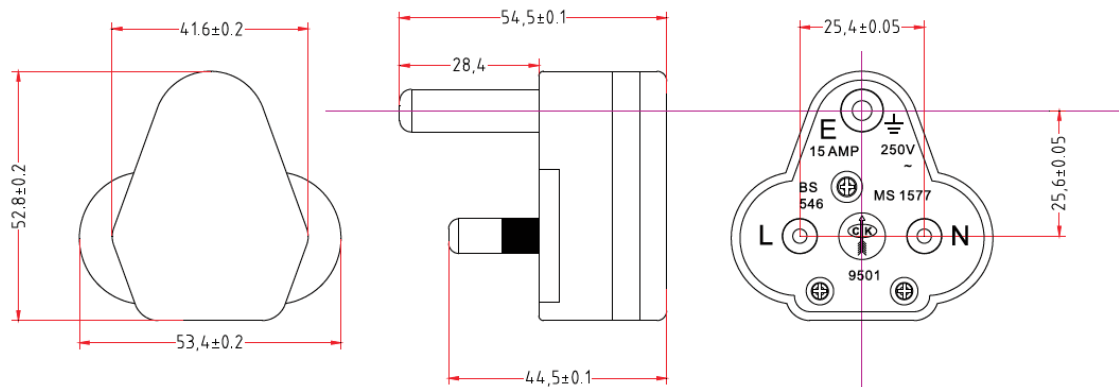


Round Pin Plug Top

5 Amp



15 Amp



MLA part code	SN1315A	SN135A
Description	15A Fused Round Pin Plug Top	5A Rated Round Pin Plug Top
Finish	White	
Nett weight (kg)	0.081	0.036
Maximum Load	15A	5A
Fused	No	
Overall Dimensions (mm)	Height – 52 Width – 53 Projection - 26	Height – 43 Width – 41 Projection - 19
IP rating	IP20	
Input voltage	Mains 230V 50Hz	
Construction	PP	
Warranty	1 Year	
Origin of Manufacture	China	
Manufactured in accordance with	BS 546 (BS kite marked)	
Declaration of Conformity (held on file)	Yes	
EAN	5055832955580	5055832984436

