

75538

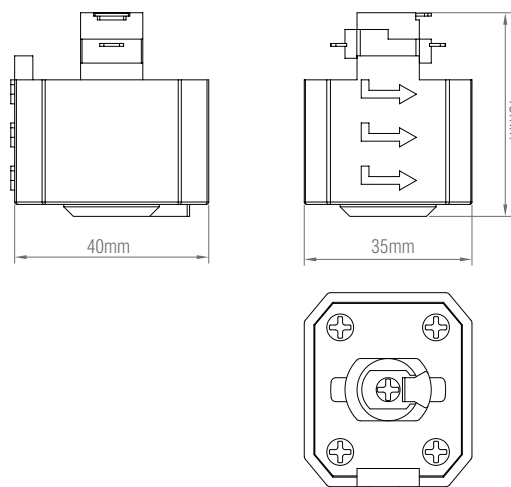
Track Pendant Adaptor

FEATURES

- 2 years warranty
- White PC finish
- Constructed from polycarbonate
- Max. 6 AMP
- 100N weight capacity

SPEC DATA

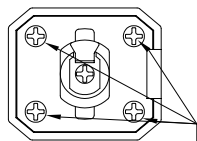
Dimmable:	Y
Product Voltage:	220-240V
Hertz:	50/60
IP Rating:	20
Product Weight (KG):	0.03
Class:	1



Wiring

- Provide powered track to the require point of installation
- Remove the 4 screws securing the terminal cover (see Fig.1)

Fig.1



Remove the 4 screws

- Remove the 2 loose ring terminals and the 2 pieces of heat shrink from inside the fitting (see Fig.2)

Fig.2



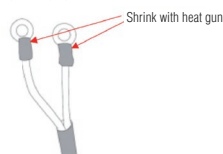
- Place heat shrink onto Live and Neutral wires and crimp the ring terminal securely onto the wire (see Fig.3)

Fig.3



- Once the crimp terminal have been secured to the 2 wires, pull the heat shrink over the crimped area and shrink with a heat gun (see Fig.4)

Fig.4



- Remove the 2 screws from the Live and Neutral terminals, and ensuring correct polarity is observed, terminate Live(brown) and Neutral(blue) to the screw terminals (see Fig.5)

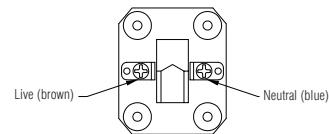
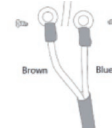


Fig.5



- Refit the terminal cover and fasten down the 4 screws
- Ensuring track polarity is observed, lock the fitting into the track
- Switch on and check for correct operation