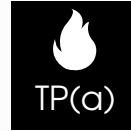
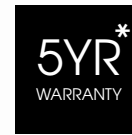
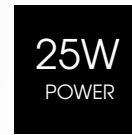
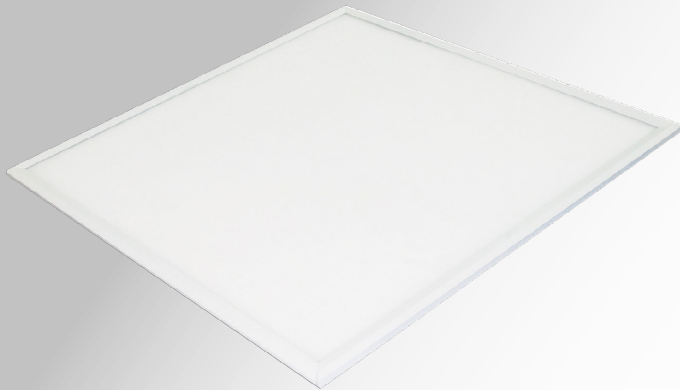


# LYNX RECESSED MODULAR (6x6)

LYNX-SLG-25-6X6NW/QD



LIGHTING & SECURITY

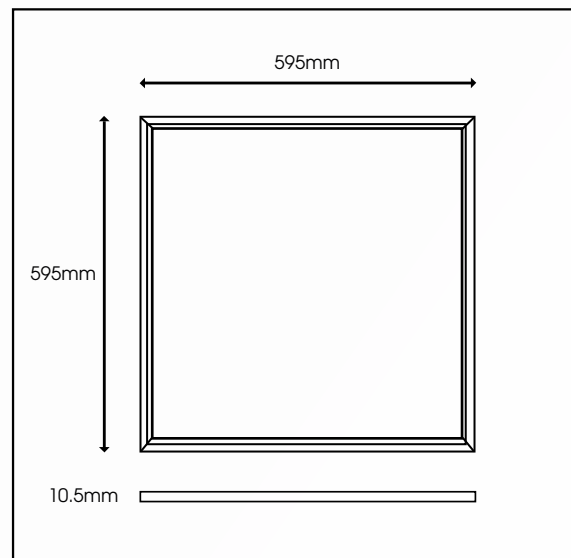


Driver as Standard

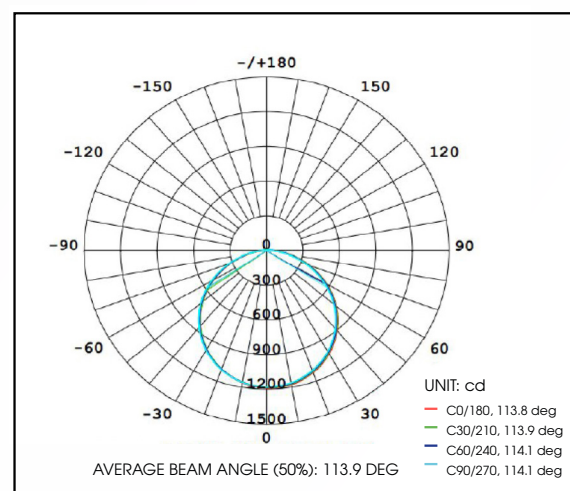


LED's inside

## TECHNICAL DRAWINGS



## LUMINOUS INTENSITY DISTRIBUTION DIAGRAM



Specification	Lynx SLG 6x6
System Power	25W
Driver Manufacturer	Q-Drive Dimmable Driver
LED Chipset	Samsung
Diffuser	Microprism
Colour Rendering Index	>85
Typical UGR	<17
LED Efficacy	120 Lm/cW
Lumen Output	3000Lm
Fire Rating	TP(a)
Dimmable	Dali / Switch-Dim / 1-10V
Power Factor	0.95
IP Rating	IP44
Beam Spread	160 °
Colour Type	Single
Colour Temperature	4000K
Housing Material	High Grade 6063 Aluminium
Light Guide Plate	PMMA
Operating Temperature	-20 to 50 °C
Input Voltage	AC 200-240V, 47-63Hz
Weight	2.6kg
Dimensions	595mm x 595mm x 10.5mm
MacAdam Step	2.8
Lifetime	50,000 hours, L70-B10 (Ta 25 °C)
CE Standards	EN60598-1, EN 60598 2-2, EN62493, EN55015, EN61547, EN61000-3-2, EN61000-3-3, EN62722-1, EN62722-2-1 and EN50581
CE Directives	LVD, EMC, ERP & RoHS

\* Warranty terms and conditions apply



SWITCH DIM

For further information on our products or terms and conditions visit our website [www.qvisled.com](http://www.qvisled.com) or email: [sales@qvislighting.com](mailto:sales@qvislighting.com)

MODULAR & RECESSED RANGE