

## Commissioning

- This product is supplied with 2 up, 2 down and 2 side arrows. Attach them onto the clear PC shade in the desired orientation. Remove the clear protective film once they are affixed in place.
- Replace fuse or circuit breaker and switch on. Your light is now ready for use.

## Fitting/replacing bulbs

- The LED Module in this product is non-replaceable.

## Battery Replacement

- If after routine operation check, the lamp does not remain lit for the three hour period, a new battery pack may be required.
- Switch off the electricity at the mains, allow batteries to fully discharge then reconnect to supply and allow to charge for 24 hours.
- Test again for two hours, if light does not remain lit change the battery pack as follows:
- Undo the screw on the side of the product and lift cover off. Set screw aside for refitting later.
- Unplug the battery lead coming from the PCB. Remove any cable ties around the cables.
- Remove the battery pack. Waste electrical products should not be disposed of with household waste. Please recycle where facilities exist. Check with your local authority or retailer for recycling advice.
- **Replace the battery with a 3.6V 800mAh Ni-Cd ONLY.** Use of a different type of battery will damage the product.
- Write current date on the new battery pack.
- Fit the new battery pack in position and plug battery pack into the PCB.
- Refit the cover with the screw set aside earlier.
- Perform full operation check and update test record.
- Restore power and allow to charge for 24 hours.

## Cleaning Information

- We recommend cleaning with a soft dry cloth or wash with warm water or just use a damp cloth.
- Do not use abrasive materials as these will damage the finish.

## Recycling advice



Waste electrical products should not be disposed of with household waste. Please recycle where facilities exist. Check with your Local Authority or retailer for recycling advice.

## Safety information

**Live Voltages may be present in this unit even when turned off or when completely disconnected.**

For your safety, always switch off the power supply before changing lightbulbs, or cleaning.

This system contains non-replaceable parts and cannot be serviced. If damage occurs the part should be scrapped.

## Instruction leaflet

# Sight 4 in 1

72644



CE

saxby  
lighting

Thank you for purchasing this light fitting. Please read the instructions carefully before use to ensure safe and satisfactory operation of this product. Please retain these instructions for future reference.

## Warning

### This is a Class 1 product and must be earthed.

Please read these instructions carefully before commencing any work.

This unit must be fitted by a competent and qualified electrician.

Install in accordance with IEE Wiring regulations and current Building Regulations.

To prevent electrocution switch off at mains supply before installing or maintaining this fitting. Ensure other persons cannot restore the electrical supply without your knowledge.

This light fitting should be connected to a fused circuit.

If replacing an existing fitting, make a careful note of the connections.

This product is not suitable for dimming.

Waste electrical products should not be disposed of with household waste. Please recycle where facilities exist. Check with your local authority or retailer for recycling advice.

These products should not be fitted to PIR circuits or short duration timed switches.

## Specification

Voltage: 240V ~ 50Hz

Lamp: 1W LED (SMD)

IP rating: 20

Duration: 3 hours (180 minutes)

Operating Temperature : -5 °C to 50 °C

Maximum Operating Humidity : 10-90%

Change over Time: Approximately 1s

Battery Specification: 3.6V 800mAh Ni-Cad

Battery Charge Time: 24 hours

Battery warranty: 2 years

## Layout

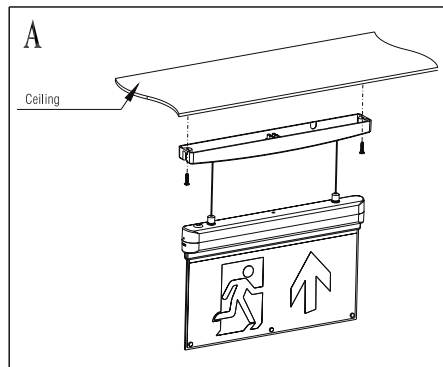
- The mains supply cable must have a minimum cross sectional area of 1.0mm<sup>2</sup>
- This product can be ceiling or wall mounted.

## Installation

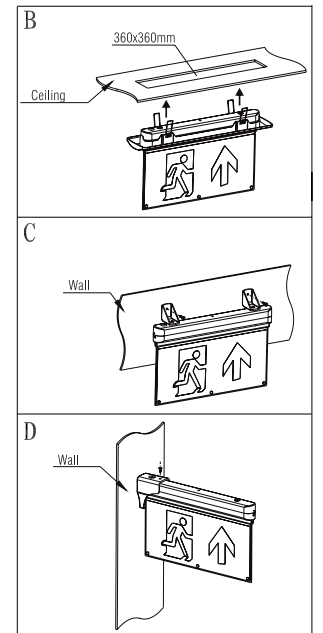
This product is multifunctional and can be ceiling mounted in two positions, suspended and recessed, and also wall mounted with the guide panel hanging down. Choose your preferred location and follow the relevant instructions listed below and referring to the corresponding drawings.

Existing fittings must be completely removed before installation of a new product. Before removing the existing fitting, **carefully note the position of each set of wires.**

- For suspended ceiling mounting (Drawing A): using the ceiling cover as a template, mark and drill the fixing holes. Take care to avoid damaging concealed wiring and pipes. Wire as detailed overleaf and then attach the ceiling cover in place with the supplied screws. Make sure the suspension cables are secured in place.



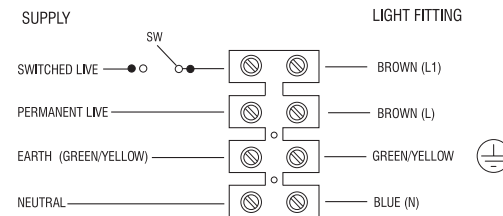
- For recessed ceiling mounting (Drawing B): Cut a hole in the ceiling using an appropriate tool. Cut out size is 360 x 60mm. Minimum ceiling void depth is 100mm. It is recommended to cut the hole slightly smaller than needed, then file the hole until the recessed unit fits snugly. Fit the spring clips and slide the recessed cover over the product from the bottom upwards until the cover clips in place. Wire as detailed below and push the spring clips upwards and fit into the ceiling recess hole.
- For wall mounting 1 (Drawing C): Remove the two screws on top of the product and arrange angled brackets in place on product. Tighten the angled brackets in place using the removed screws. Using the brackets as templates, mark and drill the fixing holes. Take care to avoid damaging any concealed wiring and pipes. Wire as detailed below, then attach the product with the brackets to the wall
- For vertical wall mounting 2 (Drawing D): using the supplied corner bracket as a template, mark and drill the fixing hole. Attach the bracket to the wall. Take care to avoid damaging any concealed wiring and pipes. Push light fitting cable through corner bracket hole and wire as detailed below. Attach the fitting to the bracket with the supplied screw.



## Wiring

### Maintained Wiring:



Having correctly identified the wiring from your existing light fitting, pull the wire through the hole and connect to the connection block inside the product in the following way:



## Check that...

- You have correctly identified the wires
- The connections are tight
- No loose strands have been left out of the connection block.

## Operation

- This unit works in maintained mode. The light will remain lit all the time and in the event of a power failure will remain on. The unit will charge automatically.
- Undo the screw on the side of the product, set screw aside for refitting later. There are a pair of lock clips in the middle of cover, loose it with a screwdriver and then lift cover off. 
- Locate connector on battery lead and connect to connection point on PCB. The connection point is located on the end of the PCB. Ensure connection is secure. 
- Verify that the LED is illuminated; this confirms that the batteries are charging.
- Charge the battery for at least 24 hours before first use.
- If the LED is not illuminated then there may be no a.c. supply, the battery has not been connected properly or the internal circuit may have failed.
- The battery should be re-charged and checked every three months.
- The battery should be discharged and the duration of the lamp in emergency mode checked every six months.