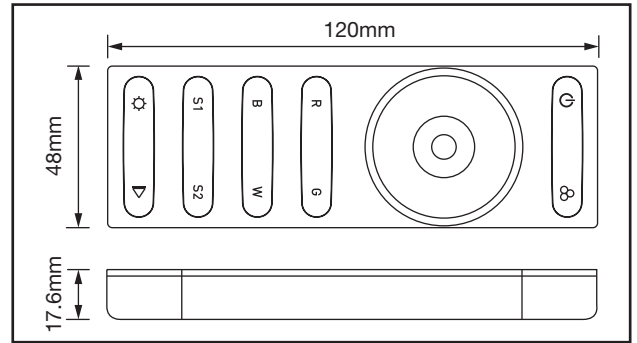


ASCRF/RGBW/RMT

12-24V RGB/RGB+W Single Zone
Remote Control

PRODUCT FEATURES

- Pair Multiple Receivers To One Remote Control
- Single Zone Control
- Maximum 8 Receivers Can Be Paired To One Remote Control
- 30m Maximum Range (Uninterrupted)
- 3xAAA Batteries Required*



TECHNICAL SPECIFICATIONS

PRODUCT CODE	ASCRF/RGBW/RMT
Output	RF Signal
Power Supply	3xAAA (Battery not included)
Operating Temperature	-10°C~40°C
Range	30m Uninterrupted



*Batteries Not Included