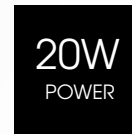


VEX BULKHEAD

VEX-20-360NW



LIGHTING & SECURITY

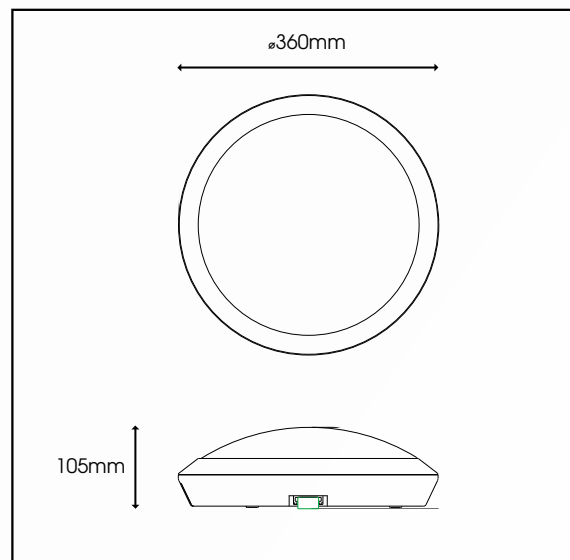


Driver as Standard



LED's inside

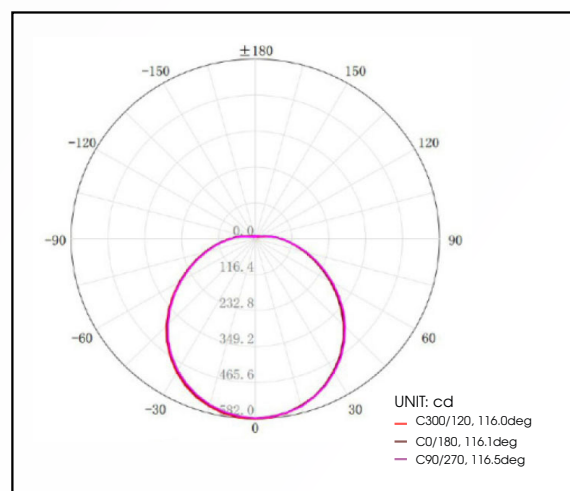
TECHNICAL DRAWINGS



Specification	VEX
System Power	20W
Driver Manufacturer	Tridonic
LED Chipset	Epistar
Colour Rendering Index	>80
Lumen Output	2100Lm
LED Efficacy	105 Lm/cW
Dimmable	All types available
IK Rating	IK10
IP Rating	IP66
Power Factor	0.997
Fire Rating	TP(α)
Housing & Diffuser Material	Polycarbonate
Beam Spread	120 °
Colour Temperature	4000K
Operating Temperature	-20 to 30 °C
Weight	0.9kg
Dimensions	∅360mm x 105mm
MacAdam Step	<3
Lifetime	50,000 hours, L70-B10 (Ta 25 °C)
CE Standards	EN60598-1, EN62493, EN55015, EN61547, EN61000-3-2, EN61000-3-3, EN62722-1, EN62722-2-1 and EN50581
CE Directives	LVD, EMC, ERP & RoHS

* Warranty terms and conditions apply

LUMINOUS INTENSITY DISTRIBUTION DIAGRAM



● SURFACE & SUSPENDED RANGE