

VEX TRI-COLOUR BULKHEAD

VEX-20-360TC/EM



LIGHTING & SECURITY



TRIDONIC
enlightening your ideas

Driver as Standard

EPISTAR

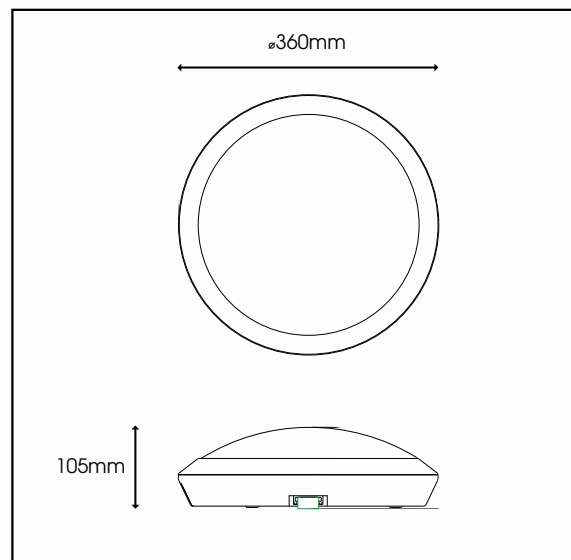
LED's inside

Specification	VEX
System Power	20W (Emergency 3W)
Driver Manufacturer	Tridonic
LED Chipset	Epistar
Colour Rendering Index	>80
Lumen Output	2100Lm (Emergency 315Lm)
LED Efficacy	105 Lm/cW
Dimmable	All types available
IK Rating	IK10
IP Rating	IP66
Power Factor	0.997
Fire Rating	TP(a)
Housing & Diffuser Material	Polycarbonate
Beam Spread	160 °
Colour Temperature	3000K/4000K/6000K
Operating Temperature	-20 to 30 °C
Weight	0.9kg
Dimensions	∅360mm x 105mm
MacAdam Step	<3
Lifetime	50,000 hours, L70-B10 (Ta 25 °C)
Emergency Output	3 Hours (3W)*
CE Standards	EN60598-1, EN62493, EN55015, EN61547, EN61000-3-2, EN61000-3-3, EN62722-1, EN62722-2-1 and EN50581
CE Directives	LVD, EMC, ERP & RoHS

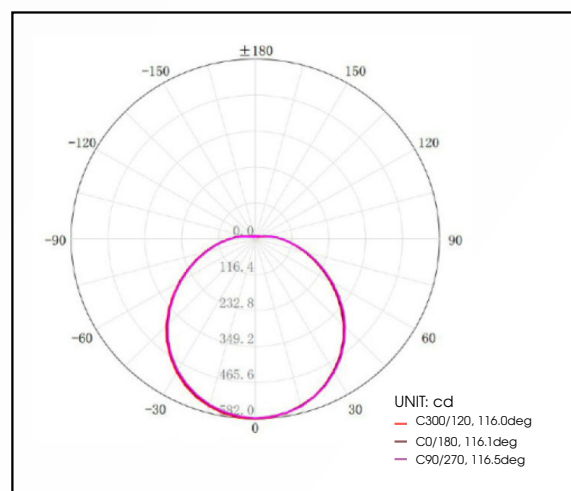
* Warranty terms and conditions apply

*For emergency products with a rated service life of < 50,000 operating hours, QVIS offers a 5-year warranty period on the luminaire and 1-year warranty period on the battery pack

TECHNICAL DRAWINGS



LUMINOUS INTENSITY DISTRIBUTION DIAGRAM



● SURFACE & SUSPENDED RANGE