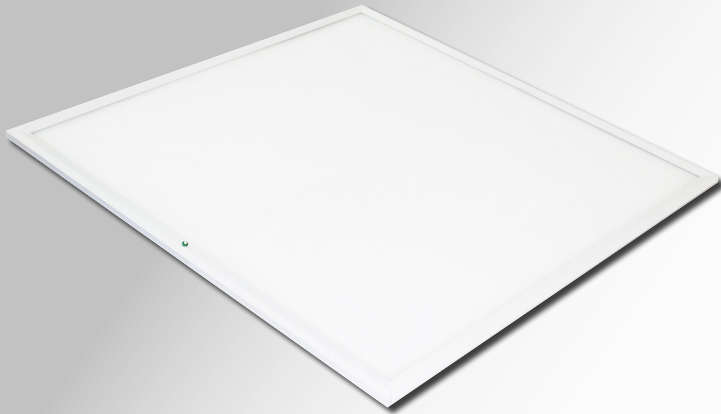


LYNX RECESSED MODULAR (6x6)

LYNX-ADV-25-6X6NW/EM



LIGHTING & SECURITY

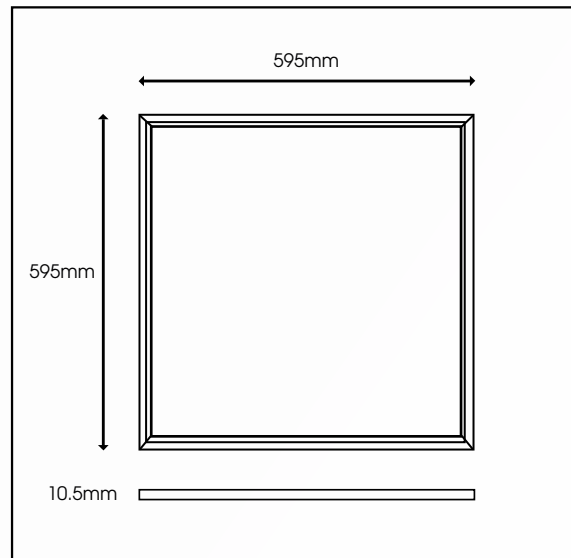


Driver as Standard

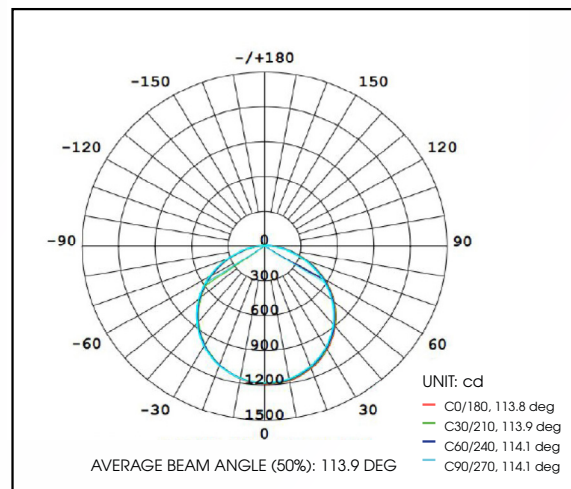


LED's inside

TECHNICAL DRAWINGS



LUMINOUS INTENSITY DISTRIBUTION DIAGRAM



Specification	Lynx Advance 6x6
System Power	25W (Emergency 3W)
Driver Manufacturer	Tridonic
LED Chipset	Samsung
Diffuser	Opal
Colour Rendering Index	>85
Typical UGR	<19
LED Efficacy	135 Lm/cW
Lumen Output	3375Lm (Emergency 405Lm)
Fire Rating	TP(b)
Dimmable	On request
Power Factor	0.95
IP Rating	IP44
Beam Spread	160 °
Colour Type	Single
Colour Temperature	4000K
Housing Material	High Grade 6063 Aluminium
Light Guide Plate	PMMA
Operating Temperature	-20 to 50 °C
Input Voltage	AC 200-240V, 47-63Hz
Weight	2.5kg
Dimensions	595mm x 595mm x 10.5mm
MacAdam Step	2.8
Lifetime	50,000 hours, L70-B10 (Ta 25 °C)
Emergency Output	3 Hours (3W)*
CE Standards	EN60598-1, EN 60598 2-2, EN62493, EN55015, EN61547, EN61000-3-2, EN61000-3-3, EN62722-1, EN62722-2-1 and EN50581
CE Directives	LVD, EMC, ERP & RoHS

* Warranty terms and conditions apply

*For emergency products with a rated service life of < 50,000 operating hours, QVIS offers a 5-year warranty period on the luminaire and 1-year warranty period on the battery pack

For further information on our products or terms and conditions visit our website www.qvisled.com or email: sales@qvislighting.com

MODULAR & RECESSED RANGE