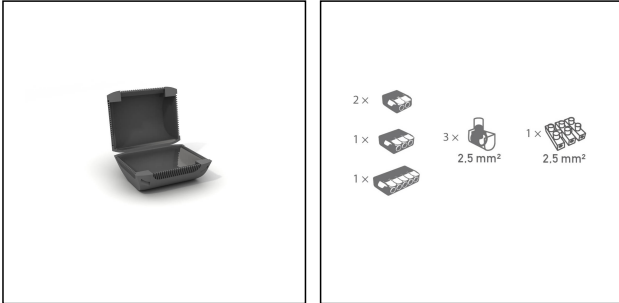


MiniBox 2



Products may differ in size, colour and appearance to those shown. If you require further information or customisation, please contact us directly.

| | |
|----------------------------------|--------------------|
| Temp. range min | -20 °C |
| Temp. range max | 90 °C |
| Protection class | IPX8 |
| Glow wire test | self-extinguishing |
| External dimensions LxWxH | 42,6x32,8x22mm |
| Type | MiniBox 2 |
| UK-Number | MBX02 |
| WISKA-Order no. | 10110357 |
| Packing unit | 1 |

Remarks:

- terminals / connectors NOT include

06.11.2023

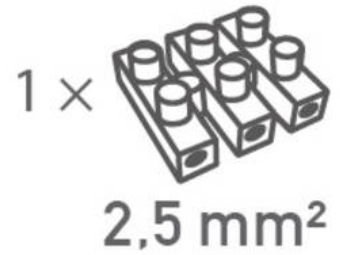
Your Contact:

WISKA UK Ltd.

Unit 7, Hurling Way · St. Columb Major Business Park · TR9 6SX, St. Columb Major, Cornwall · Great Britain

☎ +44-12-08816062 · 📠 +44-12-08816708



info@wiska.co.uk · www.wiska.co.uk



Your Contact:

WISKA UK Ltd.

Unit 7, Hurling Way · St. Columb Major Business Park · TR9 6SX, St. Columb Major, Cornwall · Great Britain

 +44-12-08816062 ·  +44-12-08816708

info@wiska.co.uk · www.wiska.co.uk