

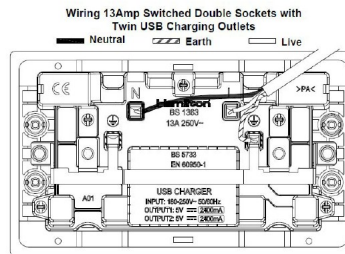
84SS2USBULTSS-W

Sheer | SHEER RANGE | USB Power Sockets

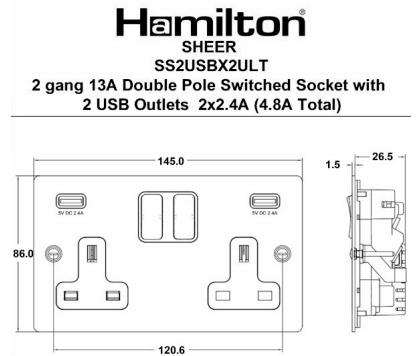
Item Image



Wiring



Dimensions



Primary Range	Sheer
Insert Type	2 gang 13A Double Pole Switched Socket with 2 USB Outlets 2x2.4A (4.8A Total)
Insert Colour	Satin Steel/White
EAN13 Barcode	5017504090487
Commodity Code	85363010
Luckins TSI	405687141
Dimensions(Nominal)	Double: Height = 86.0mm Width = 146.0mm Depth = 1.5mm
Weight	308 GR
Switched Poles	Double
Current Rating	13 Amp, USB 2 x 2.4A
Voltage	180/250V AC USB = 5V
Maximum Load	13 Amp, USB = 2.4A
Mains Frequency	50/60Hz
IP Rating	IP2XD
Contact Gap Minimum	3mm
Terminal Capacity 1	3x2.5mm ²
Terminal Capacity 2	3x4mm ²
Terminal Capacity 3	2x6mm ² Multi-Strand
Earth Terminal Capacity 1	3x2.5mm ²
Earth Terminal Capacity 2	3x4mm ²
Earth Terminal Capacity 3	2x6mm ² Multi-Strand
Product Class 1	Must be earthed
Ambient Operating Temperature	-15°C to +40°C
Recommended Location	Internal Use Only
Maximum Installation Altitude	2000m
Standard/Approval	BS 1363 + BS 5733 + EN 60950-1

84SS2USBULTSS-W

Sheer | SHEER RANGE | USB Power Sockets

All products listed conform to current British or European standard and the product information is correct at the time of going to press.

All accessories are manufactured under an accredited BS EN ISO 9001 : 2015 Quality Management System.

It is the policy of the company to improve products as part of our development programme. Therefore, we reserve the right to alter designs and dimensions without prior notice.

Illustrations and diagrams are reproduced within the limitations of reproduction and printing process and are not binding.

Due to manufacturing processes we cannot guarantee an exact colour match and shadings of of certain finishes.

Correct as at 18 August 2021 11:56 AM
E&OE

R Hamilton & Co Ltd, Unit 10 Carrick Business Centre, 4-5 Bonville Road, Brislington, Bristol, BS4 5NZ

T: +44 (0)1747 860088 F: +44 (0)1179 710414

E: info@hamilton-litestat.com www.hamilton-litestat.com

Registered Office 1 Rushmills, Bedford Road, Northampton NN4 7YB

Registered in London No. 941624 VAT Registration No. 222 6607 84

