

Shenler

Bring reliability to everything we RELAY

Electromagnetic Relay Product Catalogue

Industrial Relays | Interface Relays | Timers | Sockets and Accessories









>>> Socket accessories

SK36F	SK28L	SR25C	SR20F	SR20T	SR15L
					
SKB/SKC series	SKB/SKC series	SRC/SRC/SRU series	SRC/SRC series	SRU series	SRC/SRB series

SN20S	SR2P	SK4P	SK2P	SU3P
				
SNC05-E/S	SRC/SRB series	SKC/SKB series	SKE/SKF series	SUB series

SN64P	SN20B	PFP	SY36S	SR15M
				
SNC05-E/S	SNC05-E/S	DIN	SYF series	SRC05/08-P

SR1520M	SR2025M	ST36M4C	ST36M3C	SK36M	SE48M	SE52M	SU60M
							
SRC05/08-P	SRC05/08-P	STB14-E	STB11-E	SKC/SKB/SKE/SKF series	SEB11-P	SEB11-E	SUB series

AMD Module



Features

- > For surge suppressor
- > With LED
- > Work with relay socket

Ordering Information

AMD -

Description

L : LED
LDD: LED + diode
RC: RC circuit
ML: Varistor + LED
M: Varistor
D: diode

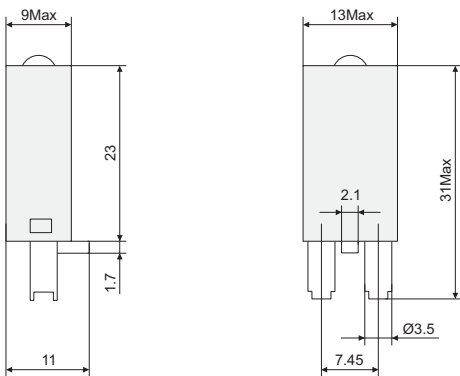
Polarity

1: A1 = + A2 = - 2: A1 = - A2 = +

Voltage

As per below schemes

Dimensions and Schemes (mm)



AMD-L 6-24VAC/DC	AMD-L1 6-24VAC/DC	AMD-L 110-240VAC/DC	AMD-L1 110-240VAC/DC	AMD-LDD 6-24VDC	AMD-LDD1 6-24VDC	AMD-LDD 110V/240VDC	AMD-LDD1 110V/240VDC	AMD-D 6-250VDC	AMD-D1 6-250VDC	AMD-ML 24VAC/DC	AMD-ML1 24VAC/DC	AMD-ML 120VAC/DC
AC/DC circuit + LED	AC/DC circuit + LED	AC/DC circuit + LED	AC/DC circuit + LED	DC circuit + LED + Diode	DC circuit + LED + Diode	DC circuit + LED + Diode	DC circuit + LED + Diode	DC circuit + Diode	DC circuit + Diode	AC/DC circuit + LED + Varistor	AC/DC circuit + LED + Varistor	AC/DC circuit + LED + Varistor
AMD-ML1 120VAC/DC	AMD-ML 240VAC/DC	AMD-ML1 240VAC/DC	AMD-RC 6-24VAC	AMD-RC 110V/240VAC	AMD-M 24VAC/DC	AMD-M 120VAC/DC	AMD-M 240VAC/DC					
AC/DC circuit + LED + Varistor	AC/DC circuit + LED + Varistor	AC/DC circuit + LED + Varistor	AC circuit + RC	AC circuit + RC	AC/DC circuit + Varistor	AC/DC circuit + Varistor	AC/DC circuit + Varistor					

>>> Socket accessories

BMD Module



Features

- > For surge suppressor
- > With LED
- > Work with relay socket

Ordering Information

Description

L : LED
 LDD: LED + diode
 RC: RC circuit
 ML: Varistor + LED
 M: Varistor
 D: diode

Polarity

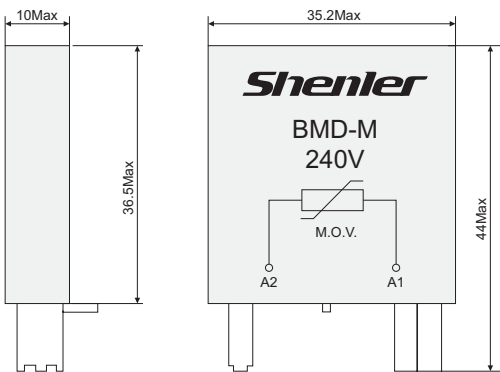
1: A1 = + A2 = -
 2: A1 = - A2 = +

Voltage

As per below schemes

BMD -

Dimensions and Schemes (mm)



BMD-L 6-24VAC/DC	BMD-L1 6-24VAC/DC	BMD-L 110-240VAC/DC	BMD-L1 110-240VAC/DC	BMD-LDD 6-24VDC			
AC/DC circuit + LED	AC/DC circuit + LED	AC/DC circuit + LED	AC/DC circuit + LED	DC circuit + LED + Diode			
BMD-LDD1 6-24VDC	BMD-LDD 110V/240VDC	BMD-LDD1 110V/240VDC	BMD-D 6-250VDC	BMD-D1 6-250VDC	BMD-ML 24VAC/DC	BMD-ML1 24VAC/DC	BMD-ML 120VAC/DC
DC circuit + LED + Diode	DC circuit + LED + Diode	DC circuit + LED + Diode	DC circuit + Diode	DC circuit + Diode	AC/DC circuit + LED + Varistor	AC/DC circuit + LED + Varistor	AC/DC circuit + LED + Varistor
BMD-ML1 120VAC/DC	BMD-ML 240VAC/DC	BMD-ML1 240VAC/DC	BMD-RC 6-24VAC	BMD-RC 110V/240VAC	BMD-M 24VAC/DC	BMD-M 120VAC/DC	BMD-M 240VAC/DC
AC/DC circuit + LED + Varistor	AC/DC circuit + LED + Varistor	AC/DC circuit + LED + Varistor	AC circuit + RC	AC circuit + RC	AC/DC circuit + Varistor	AC/DC circuit + Varistor	AC/DC circuit + Varistor