

**Shenler**

Bring reliability to everything we RELAY

# Electromagnetic Relay Product Catalogue

Industrial Relays | Interface Relays | Timers | Sockets and Accessories



# >>> About Shenler

Founded in 1985, Zhe Jiang Shenle Electric Co., Ltd. , is China leading industrial relay manufacturer with "Shenler" as China Top10 relay brand starting from 2007. Shenler focus on R & D, manufacturing and sales in industrial relay sector, providing more than 50 series, 1000 kinds of relay and socket products.

Shenler constantly maintains product consistency and reliability by implementing continuous improvement program through whole production process from product research and design, parts manufacturing, mold making, plastic injection to final assembling. In 2011, Shenler was awarded as Global Manufacturer by GMC audit committee.

Product Family	Certifications
P.C.B. Relays	UL
Industrial Relays	CSA
Interface Relays	CE
Timers	TUV
Sockets and Accessories	CQC

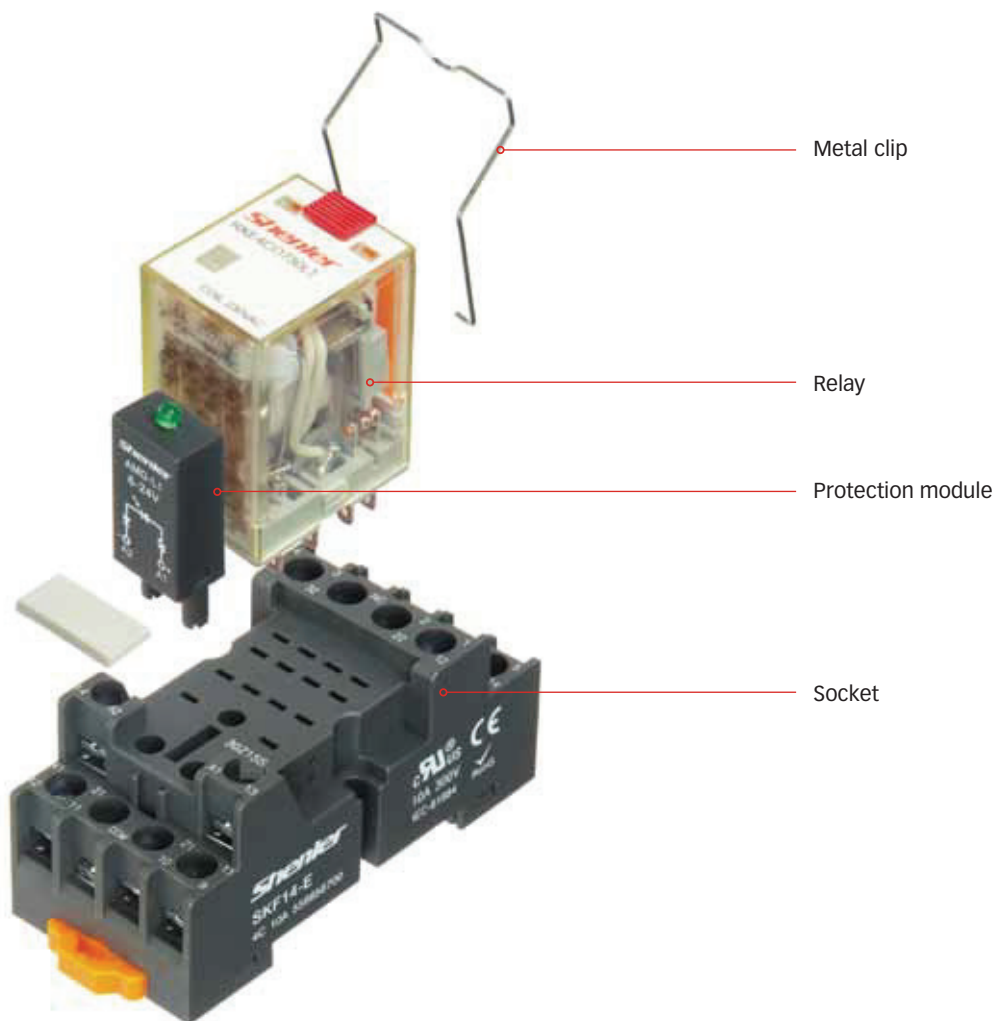
Over the years, Shenler has been committed to market acumen, technology innovation, and product quality to provide complete relay solutions to most industrial applications.

Shenler relays are widely used in construction machinery, hoisting machinery, machine tools, paper making equipment, motor control, lift, the robot, food and beverage, rubber machinery, ceramic machinery, printing and packaging, plastic machinery, textile machinery, logistics equipment, electronic manufacturing, petrochemicals, new energy and other fields.

Shenler has well established sales and service network covering mainland China and Taiwan, more than 50% products are exported to the United States, Germany, France, Italy, Japan, Korea and other countries and regions.

# Shenler

# >>> RKE Miniature General Purpose Relay



## >>> Sockets selection table

						
SYFA-E	SKB-E	SKC-E	SKC-S	SYFA	SKF14-A	SY-P

Note: Applicable protection modules and accessories please refer to Page 52 to 54.



RKE4CO024LT



RKE4CO730LT



**Features**

- > 2 pole 7A; 4 pole 5A
- > With non-polarity LED integrated in relay
- > With lockable test button and inspection window
- > Identification of coils through test button color (AC red/DC blue)
- > Conformity with RoHs Directive

**Ordering Information**

RKE

**Contact form** \_\_\_\_\_  
 2C: 2 change over  
 4C: 4 change over

**Mount options** \_\_\_\_\_  
 O: plug in

**Coil voltage** \_\_\_\_\_  
 006~220: 6~220VDC  
 506~880: 6~380VAC

**Options** \_\_\_\_\_  
 LT:LED + test button  
 LTD: LED + test button +diode  
 A: for signal control (selection plus A, namely LTA, LTDA, LSA)

**Characteristics**

		2C	4C	
Contact	Configuration	2C	4C	
	Rated current/ Rated voltage	Resistive load	7A/250VAC 30VDC	5A/250VAC 30VDC
		Motor load	1/6HP 240VAC	
	Switching capacity (resistive)	2500VA, 300W	1250VA 150W	
	Initial contact resistance	≤50mΩ		
	Material	Ag alloy		
	Electrical durability	≥10 <sup>5</sup> times (1800 Ops/h)		
Mechanical durability	≥10 <sup>7</sup> times (18000 Ops/h)			
Pick-up voltage (23°C)	DC:≤75% (Rated voltage), AC:≤80% (Rated voltage)			
Drop-out voltage (23°C)	DC:≥10% (Rated voltage),AC:≥30% (Rated voltage)			
Maximum voltage (23°C)	110% (Rated voltage)			
Insulation resistance	≥500mΩ (500VDC)			
Coil operating power	DC(W)	approx. 0.9		
	AC(VA)	approx. 1.2		
Operate time (at nominal voltage)	≤20 ms			
Release time (at nominal voltage)	≤20 ms			
Initial breakdown voltage	Between open contacts	1000VAC/1min		
	Between poles	2000VAC/1min		
	Between contacts and coil	2000VAC/1min		
Ambient temperature	-55~+70°C			
Humidity	35%~85%RH			
Air pressure	86~106KPa			
Shock resistance	10G			
Vibration resistance	10~55Hz double-amplitude:1.0mm			
Mounting	plug in			
Unit weight	35g			

# >>> RKE Miniature General Purpose Relay

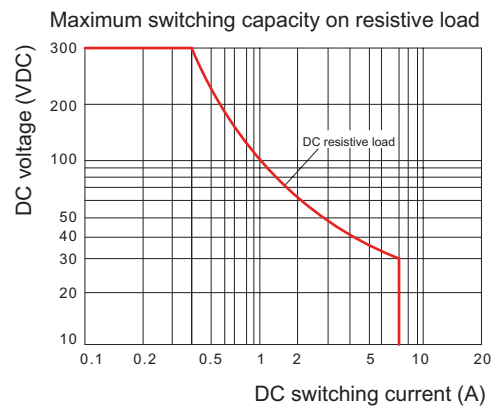
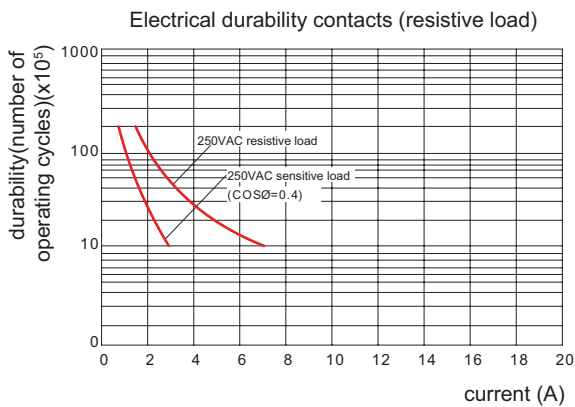
## Coil Specifications (23°C)

Voltage code	006	009	012	024	036	048	110	220		
Nominal voltage V.DC	6	9	12	24	36	48	110	220		
Coil resistance $\Omega$	40	90	160	630	1500	2600	11000	42000		
Voltage code	506	512	524	536	548	615	720	730	740	880
Nominal voltage V.AC	6	12	24	36	48	115	220	230	240	380
Coil resistance $\Omega$	11.5	40	160	370	600	4430	13000	16500	18790	42000

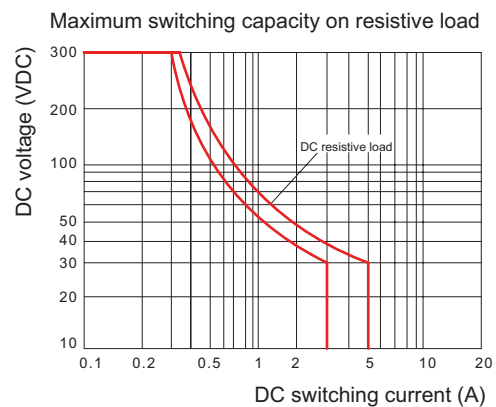
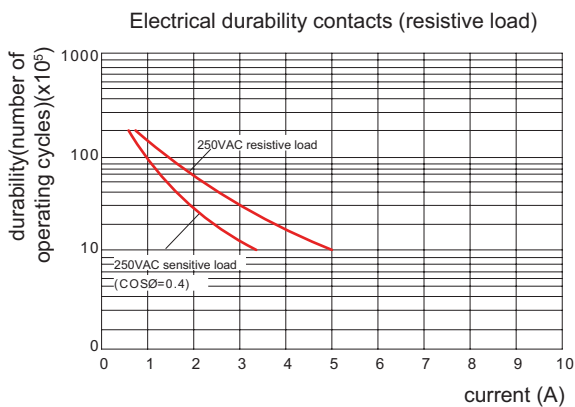
Remarks: Coil resistances under coil voltage 110V are measured with tolerances of 10%; above coil voltage 110V are measured with tolerances of 15%.

## Contact Specification

### RKE2CO

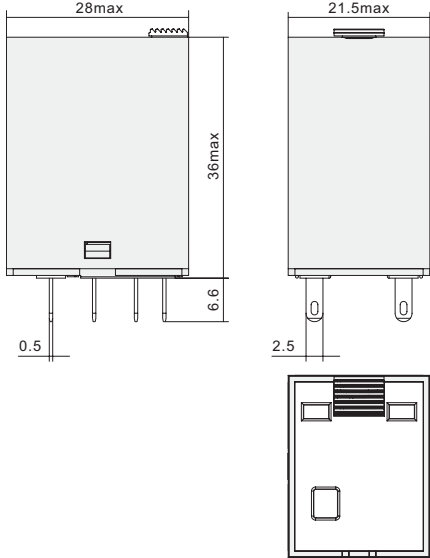


### RKE4CO

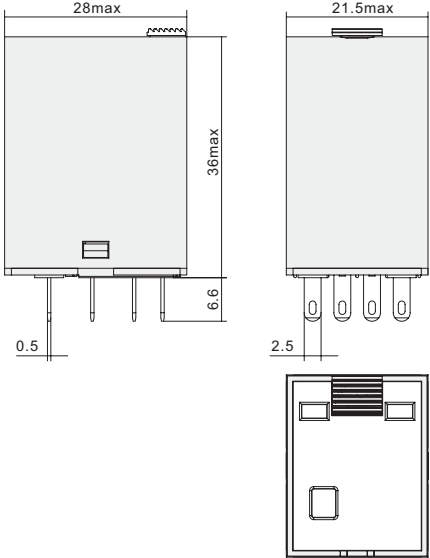


**Dimensions (mm)**

**RKE2CO**

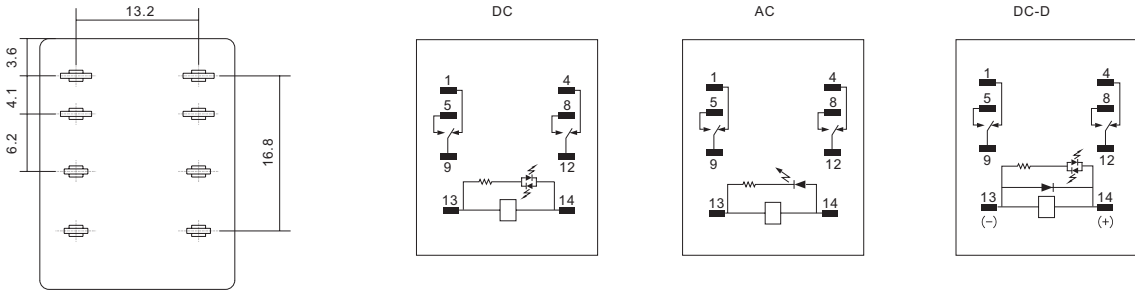


**RKE4CO**

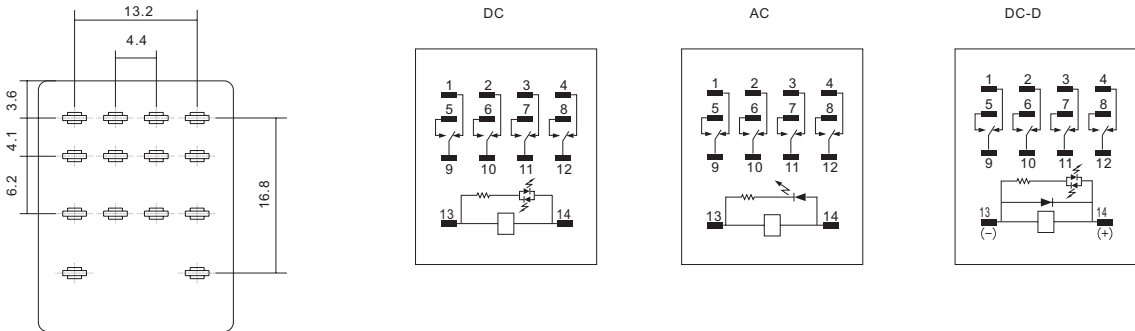


**Wiring Diagrams**

**RKE2CO**



**RKE4CO**





# >>> RKE-LS Sealed Power Relay

Humidity proof  
Oil proof  
Dust proof



## Features

- > Good performance in bad working condition, especially in much oil, dust, humidity places
- > 2 pole 7A; 4 pole 5A
- > With non-polarity LED integrated in relay
- > Conformity with RoHS Directive
- > IP62

## Ordering Information

RKE □ □ □ □

Contact form \_\_\_\_\_  
2C (C: change over)  
4C (C: change over)

Mount options \_\_\_\_\_  
O: Plug in

Coil voltage \_\_\_\_\_  
006~220: 6~220VDC  
506~880: 6~380VAC

Options \_\_\_\_\_  
LS: LED + Sealed  
LSA: LED + Sealed + Signal Control



## Characteristics

Configuration		2C	4C
Contact	Rated current/ rated voltage	Resistive load 7A/250VAC 30VDC Motor load 1/6HP 240VAC	5A/250VAC 30VDC
	Switching power (Resistive)	1750VA, 210W	1250VA 150W
	Initial contact resistance	≤50mΩ	
	Material	Ag alloy	
	Electrical durability	≥10 <sup>5</sup> times (1800 Ops/h)	
	Mechanical durability	≥10 <sup>7</sup> times (18000 Ops/h)	
	Pick-up voltage (23°C)	DC: ≤75% (Rated voltage), AC: ≤80% (Rated voltage)	
	Drop-out voltage (23°C)	DC: ≥10% (Rated voltage), AC: ≥30% (Rated voltage)	
Max. voltage (23°C)	110% (Rated voltage)		
Insulation resistance	≥500MΩ (500VDC)		
Coil operating power	DC(W)	approx. 0.9	
	AC(VA)	approx. 1.2	
Operation time (rated voltage)	≤20 ms		
Release time (rated voltage)	≤20 ms		
Initial breakdown voltage	Between open contacts	1000VAC/1min	
	Between poles	2000VAC/1min	
	Between contacts and Coil	2000VAC/1min	
Ambient temperature	-55~+70°C		
Shock resistance	10G		
Vibration resistance	10~55Hz double-amplitude: 1.0mm		
Mounting	Plug in		
Unit weight	35g		

### Coil Specifications (23°C)

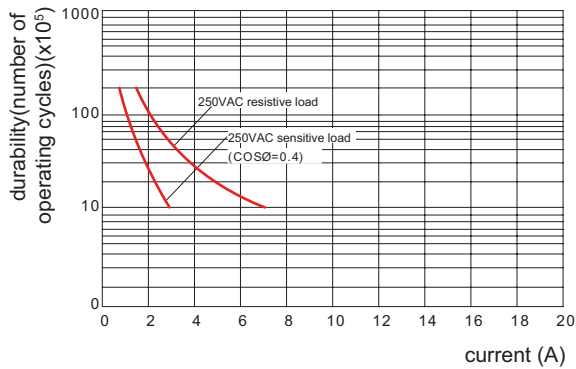
Voltage code	006	009	012	024	036	048	110	220		
Nominal voltage V.DC	6	9	12	24	36	48	110	220		
Coil resistance Ω	40	90	160	630	1500	2600	11000	42000		
Voltage code	506	512	524	536	548	615	720	730	740	880
Nominal voltage V.AC	6	12	24	36	48	115	220	230	240	380
Coil resistance Ω	11.5	40	160	370	600	4430	13000	16500	18790	42000

Remarks: Coil resistances under coil voltage 110V are measured with tolerances of 10%; above coil voltage 110V are measured with tolerances of 15%.

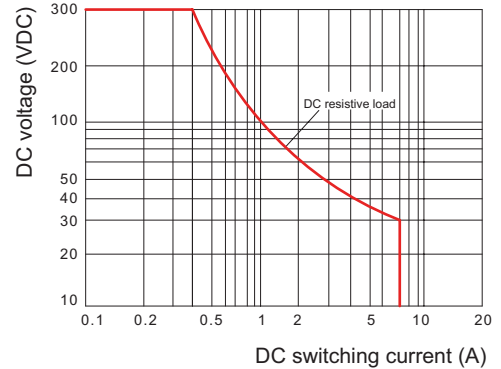
### Contact Specification

#### RKE2CO-LS

Electrical durability contacts (resistive load)

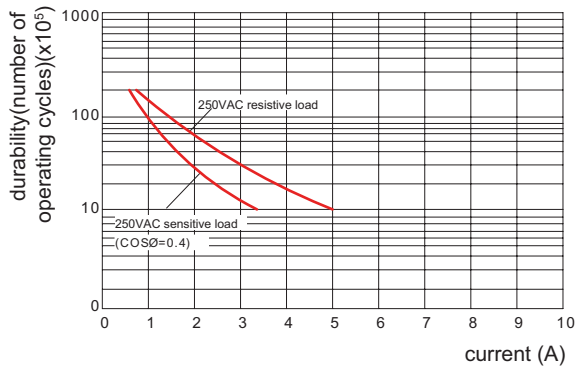


Maximum switching capacity on resistive load

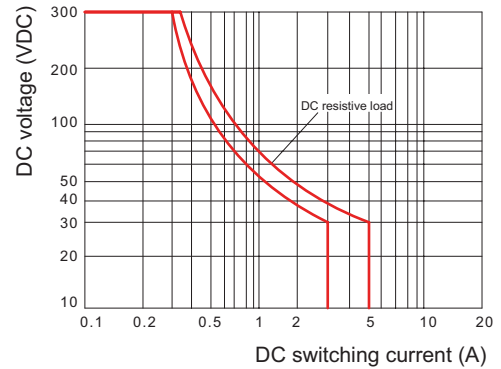


#### RKE4CO-LS

Electrical durability contacts (resistive load)

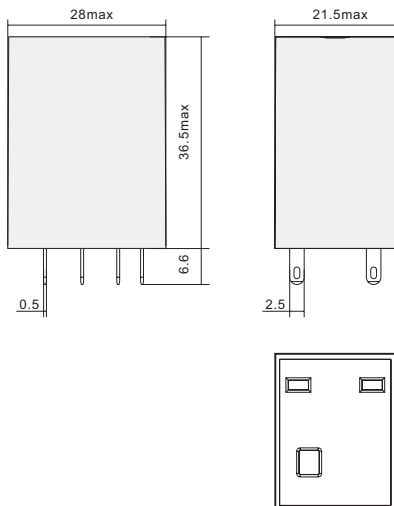


Maximum switching capacity on resistive load

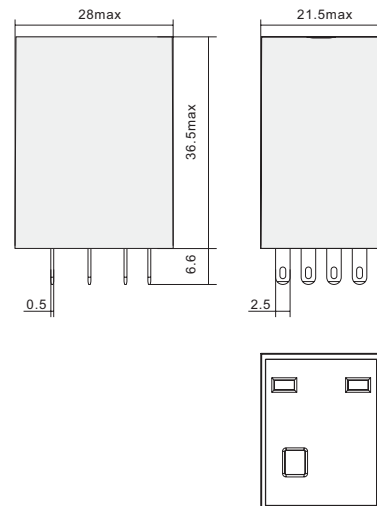


### Dimensions (mm)

#### RKE2CO-LS



#### RKE4CO-LS





# >>> RKE Miniature General Purpose Relay

## RKE Socket

### >>> SYF□□A-E

#### Presentation



7/10 AMPS 300 VOLTS



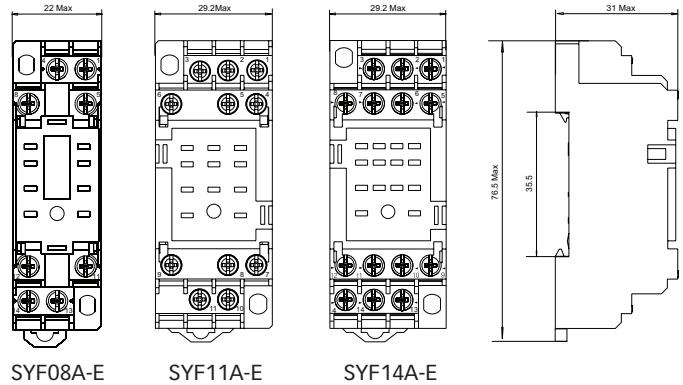
#### Characteristics

Type			SYF08A-E	SYF11A-E	SYF14A-E
Nominal load	Current	A	10	7	7
	Voltage	V	300		
Dielectric strength	V/S		2000		
Max. tightening torque	Nm		1.0		
Wire size	AWG/mm <sup>2</sup>		20-14/0.5-2.5		
Ambient temperature	°C		-40~+65		
Unit weight	g		37	56	57

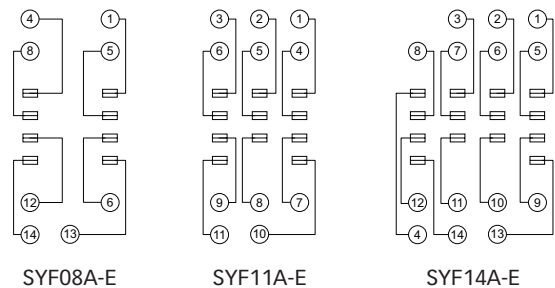
#### Relay, accessories selection table

Socket	Plastic clip	Metal clip	ID tag	Module	DIN rail
SYF08A-E	-	-	-	-	-
SYF11A-E	-	SY36S	-	-	PFP
SYF14A-E	-	-	-	-	-

#### Dimensions (mm)



#### Connection Diagrams



### >>> SKF□□-E

#### Presentation



10/12 AMPS 300 VOLTS



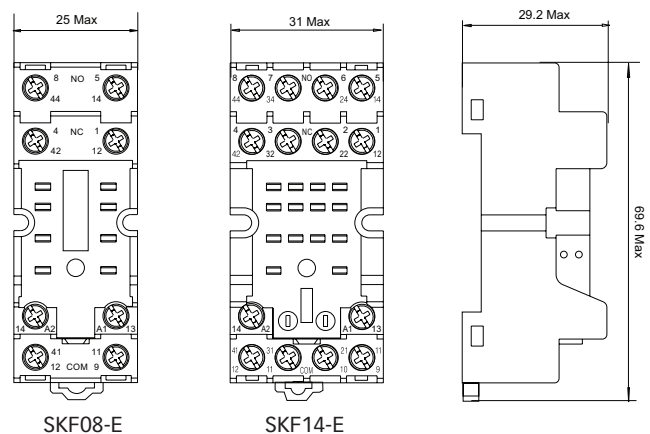
#### Characteristics

Type			SKF08-E	SKF14-E
Nominal load	Current	A	12	10
	Voltage	V	300	
Dielectric strength	V/S		2500	
Max. tightening torque	Nm		1	
Wire size	AWG/mm <sup>2</sup>		20-14/0.5-2.5	
Ambient temperature	°C		-40~+85	
Unit weight	g		35	45

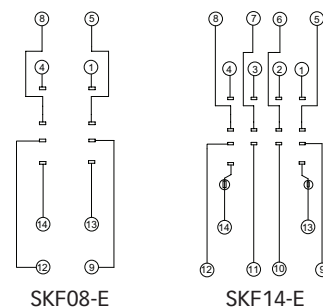
#### Relay, accessories selection table

Socket	Plastic clip	Metal clip	ID tag	Module	DIN rail
SKF08-E	-	SK36M	SK2P	-	PFP
SKF14-E	-	-	-	AMD	-

#### Dimensions (mm)



#### Connection Diagrams



**RKE Socket**

▶▶ **SKB□□-E**

**Presentation**



**10/12 AMPS 300 VOLTS**



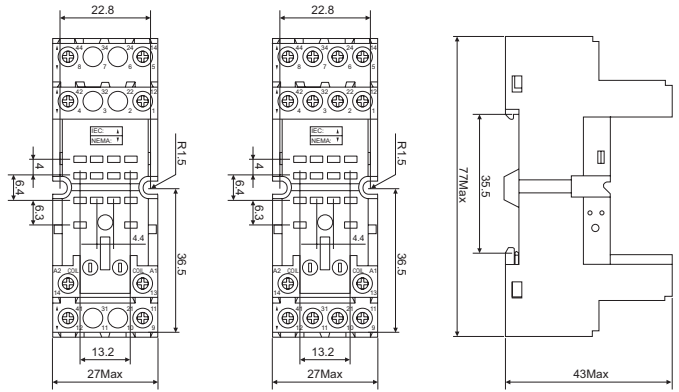
**Characteristics**

Type			SKB08-E	SKB14-E
Nominal load	Current	A	12	10
	Voltage	V	300	
Dielectric strength	Between coil and contact	V/S	4000	
	Between contacts	V/S	2500	
Max. tightening torque		Nm	1.0	
Wire size		AWG/mm <sup>2</sup>	20-14/0.5-2.5	
Ambient temperature		°C	-40~+85	
Unit weight		g	50	56

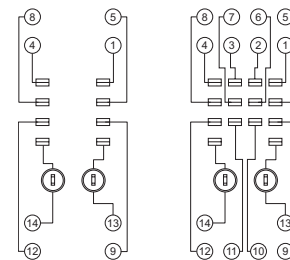
**Relay,accessories selection table**

Socket	Plastic clip	Metal clip	ID tag	Module	DIN rail
SKB08-E	SK36F	SK36M	SK4P	AMD	PFP
SKB14-E					

**Dimensions (mm)**



**Connection Diagrams**



▶▶ **SKC□□-E**

**Presentation**



**10/12 AMPS 300 VOLTS**



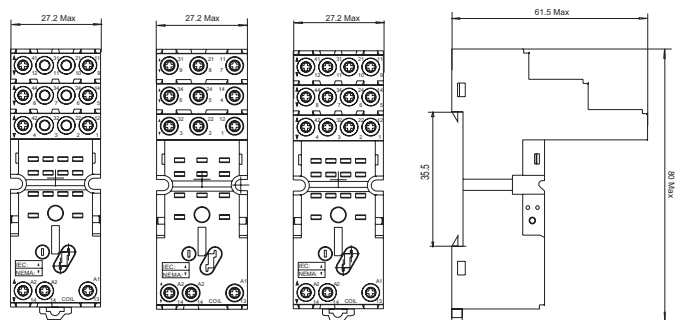
**Characteristics**

Type			SKC08-E	SKC11-E	SKC14-E
Nominal load	Current	A	12	10	10
	Voltage	V	300		
Dielectric strength	Between coil and contact	V/S	4000		
	Between contacts	V/S	2500		
Max. tightening torque		Nm	1.0		
Wire size		AWG/mm <sup>2</sup>	20-14/0.5-2.5		
Ambient temperature		°C	-40~+85		
Unit weight		g	50	56	62

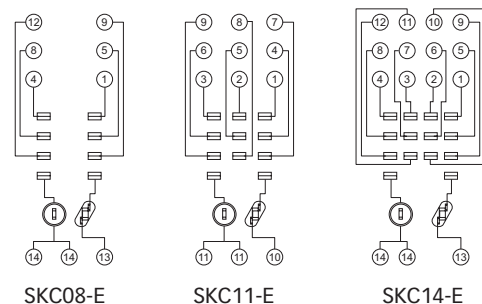
**Relay,accessories selection table**

Socket	Plastic clip	Metal clip	ID tag	Module	DIN rail
SKC08-E					
SKC11-E	SK36F	SK36M	SK4P	AMD	PFP
SKC14-E					

**Dimensions (mm)**



**Connection Diagrams**



# >>> RKE Miniature General Purpose Relay

## RKE Socket

### >>> SKC14-S

#### Presentation



2C 12A; 4C 8A



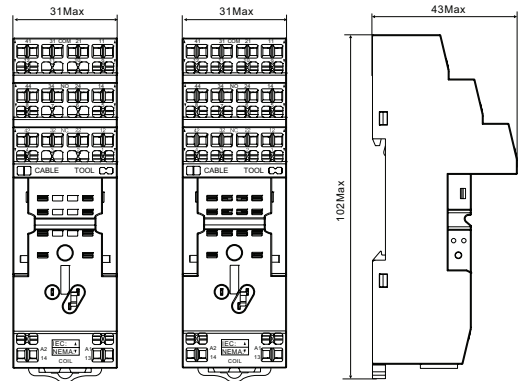
#### Characteristics

Nominal load	Current	A	2C 12A; 4C 8A
	Voltage	V	300
Dielectric strength	Between coil and contact	V/S	4000
	Between contacts	V/S	2500
Max. tightening torque	Nm		1.0
Wire size	AWG/mm <sup>2</sup>		20-16/0.5-1.5
Ambient temperature	°C		-40~+85
Unit weight	g		70

#### Relay, accessories selection table

Socket	Plastic clip	ID tag	Module	DIN rail
SKC14-S	SK36F	SR2P	AMD	DIN

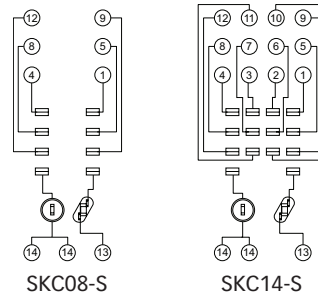
#### Dimensions (mm)



SKC08-S

SKC14-S

#### Connection Diagrams



SKC08-S

SKC14-S

### >>> SYF□□A

#### Presentation



7/10 AMPS 300 VOLTS



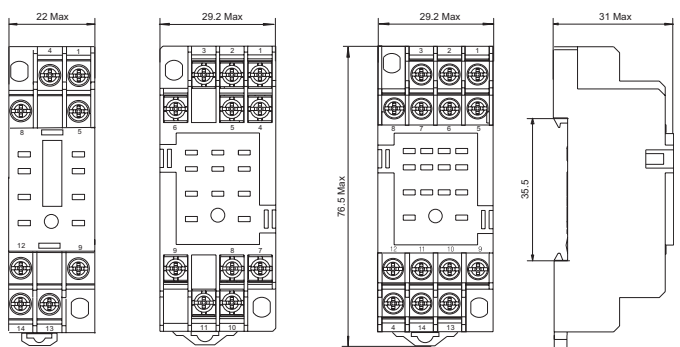
#### Characteristics

Type			SYF08A	SYF11A	SYF14A
Nominal load	Current	A	10	7	7
	Voltage	V	300		
Dielectric strength	V/S		2000		
Max. tightening torque	Nm		1.0		
Wire size	AWG/mm <sup>2</sup>		20-14/0.5-2.5		
Ambient temperature	°C		-40~+65		
Unit weight	g		34	47	56

#### Relay, accessories selection table

Socket	Plastic clip	Metal clip	ID tag	Module	DIN rail
SYF08A	-	-	-	-	-
SYF11A	-	SY36S	-	-	PFP
SYF14A	-	-	-	-	-

#### Dimensions (mm)

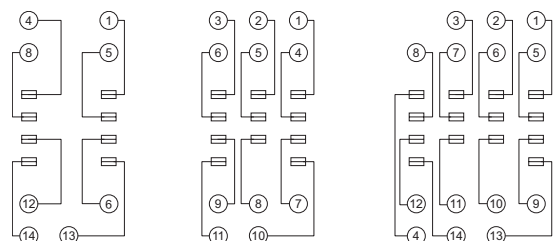


SYF08A

SYF11A

SYF14A

#### Connection Diagrams



SYF08A

SYF11A

SYF14A

**RKE Socket**

**>>> SKF14-A**

**Presentation**



**10 AMPS 300 VOLTS**



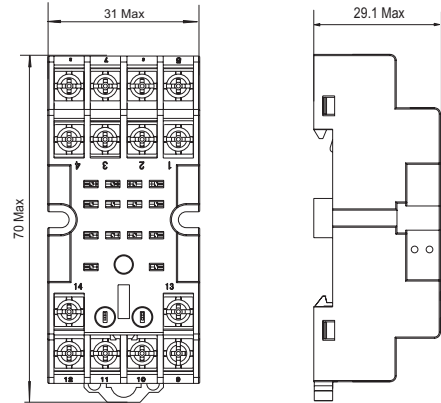
**Characteristics**

Nominal load	Current	A	10
	Voltage	V	300
Dielectric strength	V/S		2500
Max. tightening torque	Nm		1.0
Wire size	AWG/mm <sup>2</sup>		20-14/0.5-2.5
Ambient temperature	°C		-40~+85
Unit weight	g		42.9

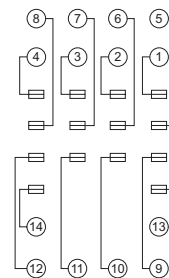
**Relay,accessories selection table**

Socket	Plastic clip	Metal clip	ID tag	Module	DIN rail
SKF14-A	-	SK36M	SK2P	AMD	PFP

**Dimensions (mm)**



**Connection Diagrams**



**>>> SY□□-P**

**Presentation**



**10/12 AMPS 300 VOLTS**



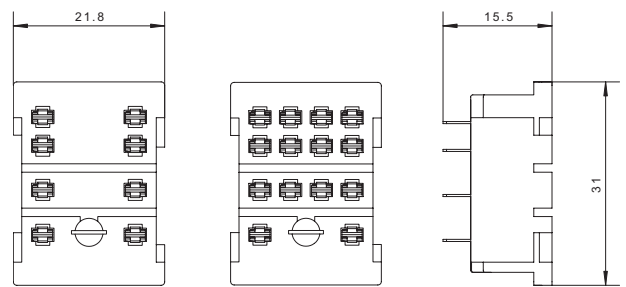
**Characteristics**

Type			SY08-P	SY14-P
Nominal load	Current	A	12	10
	Voltage	V	300	
Dielectric strength	V/S		2000	
Ambient temperature	°C		-40~+85	
Unit weight	g		7	7

**Relay,accessories selection table**

Socket	Plastic clip	Metal clip	ID tag	Module	DIN rail
SY08-P	-	SK36M	-	-	-
SY14-P	-	SK36M	-	-	-

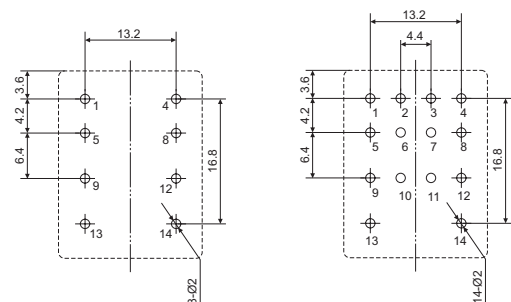
**Dimensions (mm)**



SY08-P

SY14-P

**Connection Diagrams**



SY08-P

SY14-P