

**Shenler**

Bring reliability to everything we RELAY

# Electromagnetic Relay Product Catalogue

Industrial Relays | Interface Relays | Timers | Sockets and Accessories



# >>> About Shenler

Founded in 1985, Zhe Jiang Shenle Electric Co., Ltd. , is China leading industrial relay manufacturer with "Shenler" as China Top10 relay brand starting from 2007. Shenler focus on R & D, manufacturing and sales in industrial relay sector, providing more than 50 series, 1000 kinds of relay and socket products.

Shenler constantly maintains product consistency and reliability by implementing continuous improvement program through whole production process from product research and design, parts manufacturing, mold making, plastic injection to final assembling. In 2011, Shenler was awarded as Global Manufacturer by GMC audit committee.

Product Family	Certifications
P.C.B. Relays	UL
Industrial Relays	CSA
Interface Relays	CE
Timers	TUV
Sockets and Accessories	CQC

Over the years, Shenler has been committed to market acumen, technology innovation, and product quality to provide complete relay solutions to most industrial applications.

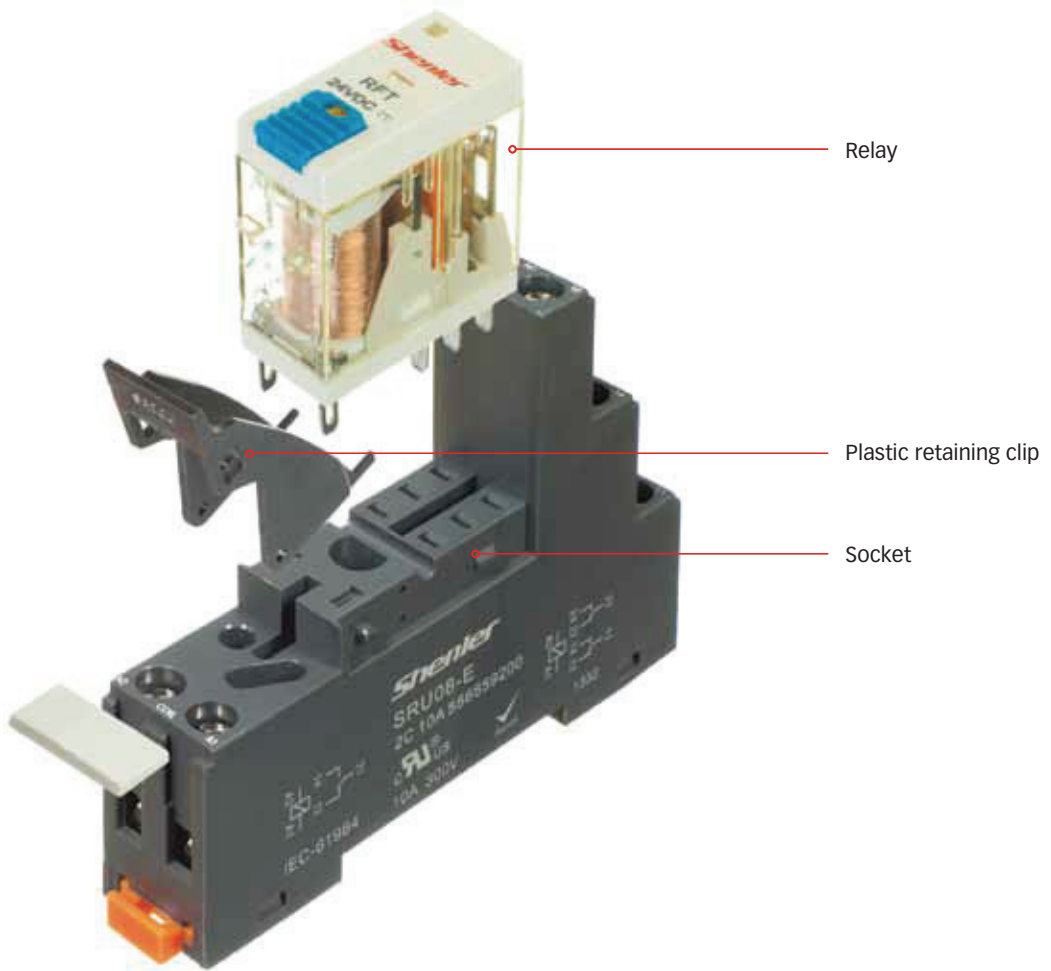
Shenler relays are widely used in construction machinery, hoisting machinery, machine tools, paper making equipment, motor control, lift, the robot, food and beverage, rubber machinery, ceramic machinery, printing and packaging, plastic machinery, textile machinery, logistics equipment, electronic manufacturing, petrochemicals, new energy and other fields.

Shenler has well established sales and service network covering mainland China and Taiwan, more than 50% products are exported to the United States, Germany, France, Italy, Japan, Korea and other countries and regions.






# Shenler

# >>> RFT Interface Relay

Shenler  
>>> Industrial Relay Series



## >>> Sockets selection table

				
SRU08-E	SRU08-A	SRU08-P	SR08B	SR08C

Note: Applicable protection modules and accessories please refer to Page 52 to 54.

# >>> RFT Interface Relay



RFT1CO



RFT2CO

## Features

- > 1 pole 12A; 2 pole 8A
- > With non-polarity LED integrated in relay
- > Slim and compact size
- > Conformity with RoHs directive

## Ordering Information

**Contact form** \_\_\_\_\_ RFT □ □ □ □  
 1C: 1 change over  
 2C: 2 change over

**Terminal arrangement** \_\_\_\_\_  
 O: plug in

**Coil voltage** \_\_\_\_\_  
 006~110: 6~110VDC  
 506~740: 6~240VAC

**Other options** \_\_\_\_\_  
 L: LED  
 D: Diode  
 LD: LED + diode (1-, 5+; 1-, 8+)  
 LD1: LED + diode (1+, 5-; 1+, 8-)  
 B: install at top  
 A: for signal control (selection plus A, namely LA, DA, LDA, LTA, LTDA, BA)



## Characteristics

		1C	2C	
Contact	Configuration	1C	2C	
	Rated current/ Rated voltage	Resistive load	12A/250VAC, 30VDC	8A/250VAC, 30VDC
		Motor load	1/3HP, 240VAC	1/6HP, 240VAC
	Switching capacity (resistive)	3000VA, 360W	2000VA, 240W	
	Initial contact resistance	≤50mΩ		
	Material	Ag alloy		
	Electrical durability	≥10 <sup>5</sup> times (1800 Ops/h)		
Mechanical durability	≥10 <sup>7</sup> times (18000 Ops/h)			
Pick-up voltage (23°C)	DC:≤75% (Rated voltage), AC:≤80% (Rated voltage)			
Drop-out voltage (23°C)	DC:≥10% (Rated voltage), AC:≥30% (Rated voltage)			
Maximum voltage (23°C)	110% (Rated voltage)			
Insulation resistance	≥1000mΩ (500VDC)			
Coil operating power	DC (W)	approx. 0.53		
	AC (VA)	approx. 1		
Operate time (at nominal voltage)	≤20ms			
Release time (at nominal voltage)	≤10ms			
Initial breakdown voltage	Between open contacts	1000VAC/1min		
	Between poles	3000VAC/1min		
	Between contacts and coil	5000VAC/1min		
Ambient temperature	-40~+55°C			
Humidity	5%~85%RH			
Air pressure	86~106KPa			
Shock resistance	10G			
Vibration resistance	10~55Hz double-amplitude:1.0mm			
Mounting	plug in			
Unit weight	Approx. 18g			

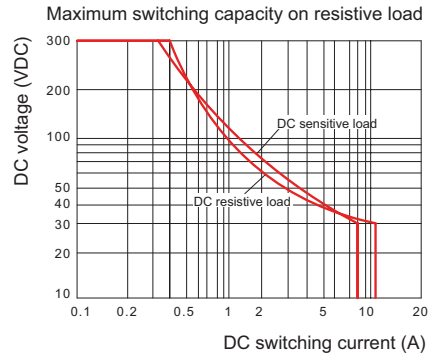
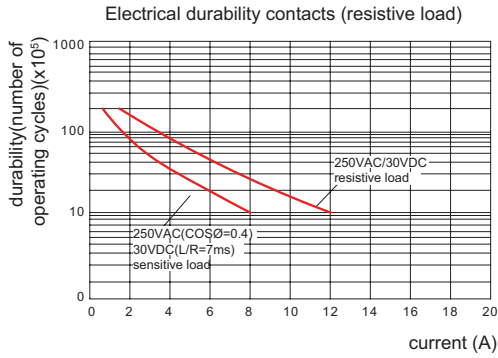
### Coil Specifications (23°C)

Voltage code	006	009	012	024	036	048	110	
Nominal voltage V.DC	6	9	12	24	36	48	110	
Coil resistance $\Omega$	68	150	270	1100	2440	4300	22800	
Voltage code	506	512	524	548	615	720	730	740
Nominal voltage V.AC	6	12	24	48	115	220	230	240
Coil resistance $\Omega$	16	63	240	1085	6300	21000	23000	25000

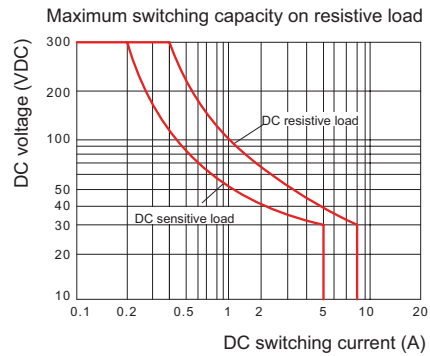
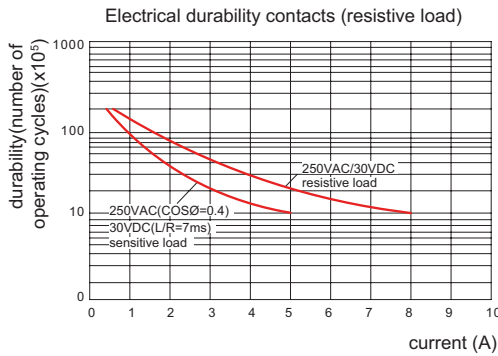
Remarks: Coil resistances under coil voltage 110V are measured with tolerances of 10%; above coil voltage 110V are measured with tolerances of 15%.

### Contact Specification

#### RFT1CO

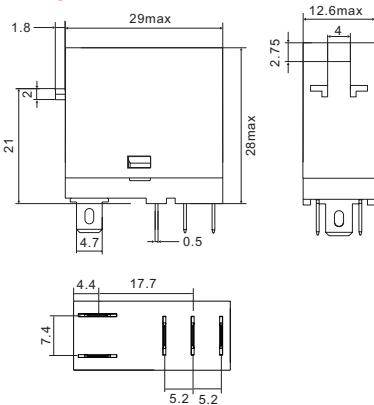


#### RFT2CO

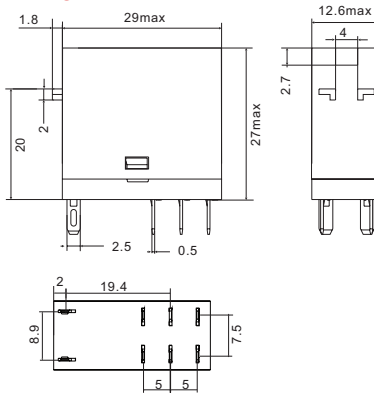


### Dimensions (mm)

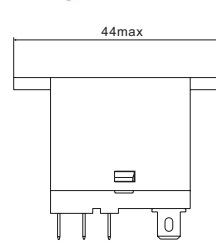
#### RFT1C



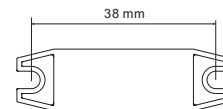
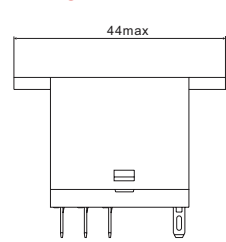
#### RFT2C



#### RFT1CB

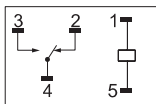


#### RFT2CB

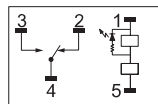


### Wiring Diagrams

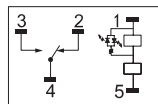
#### RFT1CO



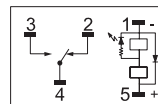
#### RFT1COL AC



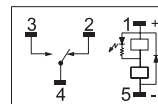
#### RFT1COL DC



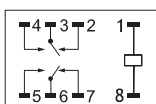
#### RFT1COLD DC



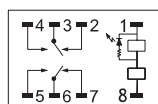
#### RFT1COLD1 DC



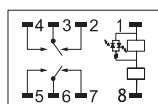
#### RFT2CO



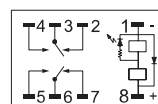
#### RFT2COL AC



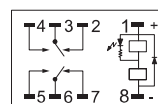
#### RFT2COL DC



#### RFT2COLD DC



#### RFT2COLD1 DC



# >>> RFT Interface Relay



RFT1CO-LT



RFT2CO-LT

## Features

- > Slim and compact size
- > 1 pole 12A; 2 pole 8A
- > With non-polarity LED integrated in relay
- > With lockable test button and inspection window
- > Identification of coils through test button color (AC red/DC blue)
- > Conformity with RoHs Directive

## Ordering Information

**Contact form** \_\_\_\_\_ RFT □ □ □ □

1C: 1 change over  
2C: 2 change over

**Terminal arrangement** \_\_\_\_\_

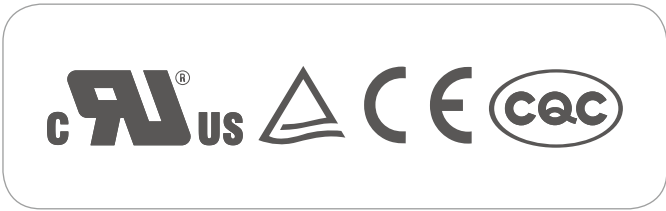
O: plug in

**Coil voltage** \_\_\_\_\_

006~110: 6~110VDC  
506~740: 6~240VAC

**Options** \_\_\_\_\_

LT: LED + Test button  
LTD: LED + test button+diode (1-, 5+; 1-, 8+)  
LTD1: LED + test button+diode (1+, 5-; 1+, 8-)



## Characteristics

Configuration		1C	2C
Contact	Rated current/ Resistive load	12A/250VAC, 30VDC	8A/250VAC, 30VDC
	Rated voltage Motor load	1/3HP, 240VAC	1/6HP, 240VAC
	Switching capacity (resistive)	3000VA, 360W	2000VA, 240W
	Initial contact resistance	≤50mΩ	
	Material	Ag alloy	
	Electrical durability	≥10 <sup>5</sup> times (1800 Ops/h)	
	Mechanical durability	≥10 <sup>7</sup> times (18000 Ops/h)	
	Pick-up voltage (23°C)	DC: ≤75% (rated voltage), AC: ≤80% (rated voltage)	
Drop-out voltage (23°C)	DC: ≥10% (rated voltage), AC: ≥30% (rated voltage)		
Maximum voltage (23°C)	110% (rated voltage)		
Insulation resistance	≥1000MΩ (500VDC)		
Coil operating power	DC (W)	approx. 0.53	
	AC (VA)	approx. 1	
Operate time (at nominal voltage)	≤20ms		
Release time (at nominal voltage)	≤10ms		
Initial breakdown voltage	Between open contacts	1000VAC/1min (leakage current 1mA)	
	Between poles	3000VAC/1min (leakage current 1mA)	
	Between contacts and coil	5000VAC/1min (leakage current 1mA)	
Ambient temperature	-40~+55°C		
Humidity	5%~85%RH		
Air pressure	86~106KPa		
Shock resistance	10G		
Vibration resistance	10~55Hz double-amplitude: 1.0mm		
Mounting	plug in		
Unit weight	Approx. 20g		

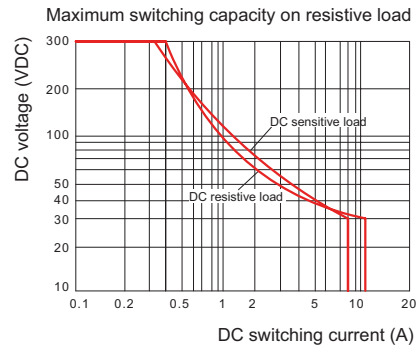
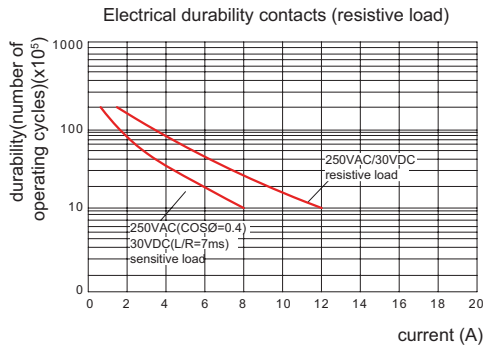
### Coil Specifications (23°C)

Voltage code	006	009	012	024	036	048	110	
Nominal voltage V.DC	6	9	12	24	36	48	110	
Coil resistance Ω	68	150	270	1100	2440	4300	22800	
Voltage code	506	512	524	548	615	720	730	740
Nominal voltage V.AC	6	12	24	48	115	220	230	240
Coil resistance Ω	16	63	240	1085	6300	21000	23000	25000

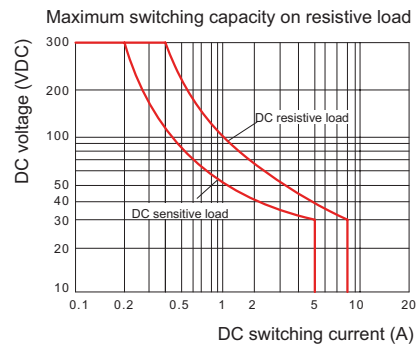
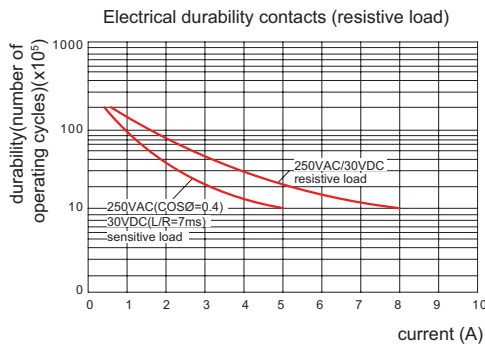
Remarks: Coil resistances under coil voltage 110V are measured with tolerances of 10%; above coil voltage 110V are measured with tolerances of 15%.

### Contact Specification

#### RFT1CO-LT

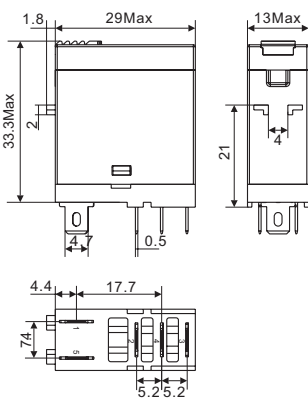


#### RFT2CO-LT

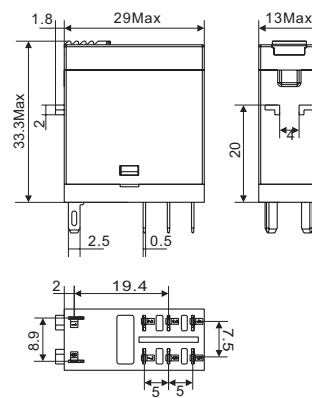


### Dimensions (mm)

#### RFT1CO-LT

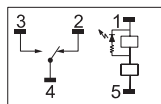


#### RFT2CO-LT

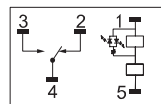


### Wiring Diagrams

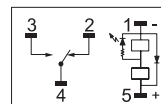
#### RFT1COLT AC



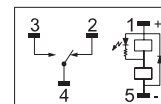
#### RFT1COLT DC



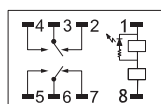
#### RFT1COLTD DC



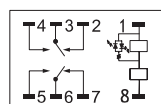
#### RFT1COLTD1 DC



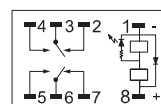
#### RFT2COLT AC



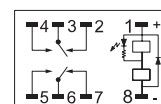
#### RFT2COLT DC



#### RFT2COLTD DC



#### RFT2COLTD1 DC



# >>> RFT Interface Relay

## RFT Socket

### >>> SRT□□-E

#### Presentation



10/16 AMPS 300 VOLTS



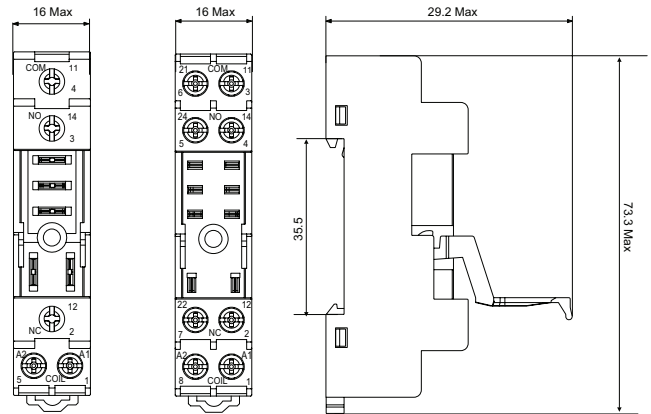
#### Characteristics

Type			SRT05-E	SRT08-E
Nominal load	Current	A	16	10
	Voltage	V	300	
Dielectric strength	Between coil and contact	V/S	4000	
	Between contacts	V/S	2500	
Max. tightening torque		Nm	1.0	
Wire size		AWG/mm <sup>2</sup>	20-14/0.5-2.5	
Ambient temperature		°C	-45~85	
Unit weight		g	22	27

#### Relay,accessories selection table

Socket	Plastic clip	Metal clip	ID tag	Module	DIN rail	Bus jumper
SRT05-E	SR20	-	-	-	PFP	SR08C
SRT08-E						

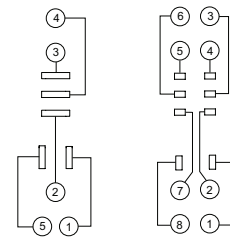
#### Dimensions (mm)



SRT05-E

SRT08-E

#### Connection Diagrams



SRT05-E

SRT08-E

### >>> SRT□□-A

#### Presentation



10/16 AMPS 300 VOLTS



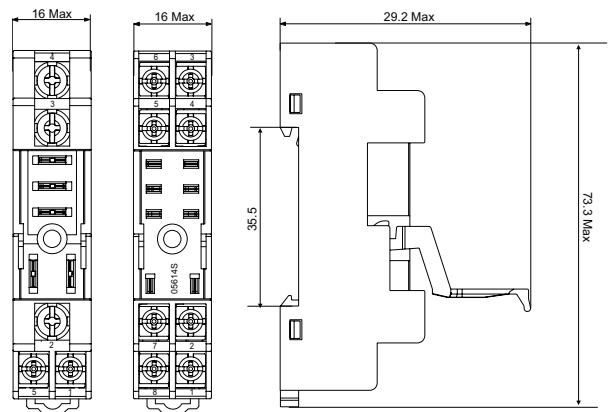
#### Characteristics

Type			SRT05-A	SRT08-A
Nominal load	Current	A	16	10
	Voltage	V	300	
Dielectric strength	Between coil and contact	V/S	4000	
	Between contacts	V/S	2500	
Max. tightening torque		Nm	1.0	
Wire size		AWG/mm <sup>2</sup>	20-14/0.5-2.5	
Ambient temperature		°C	-45~85	
Unit weight		g	22	27

#### Relay,accessories selection table

Socket	Plastic clip	Metal clip	ID tag	Module	DIN rail	Bus jumper
SRT05-A	SR20	-	-	-	PFP	SR08C
SRT08-A						

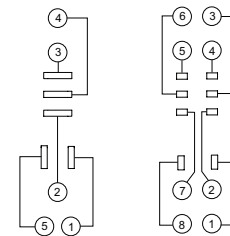
#### Dimensions (mm)



SRT05-A

SRT08-A

#### Connection Diagrams



SRT05-A

SRT08-A



**RFT Socket**

**>>> SRU□□-E**

**Presentation**



**10/16 AMPS 300 VOLTS**



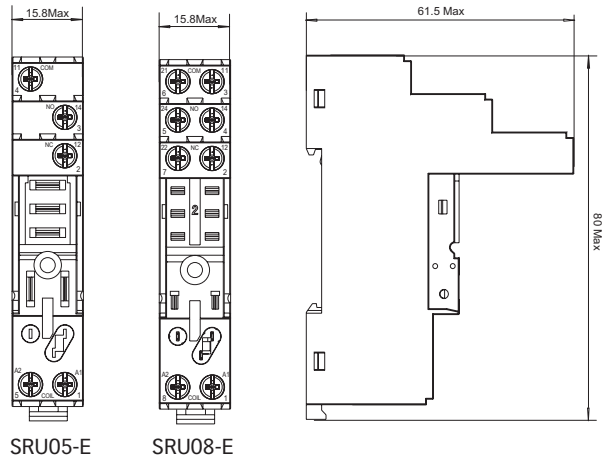
**Characteristics**

Type			SRU05-E	SRU08-E
Nominal load	Current	A	16	10
	Voltage	V	300	
Dielectric strength	Between coil and contact	V/S	4000	
	Between contacts	V/S	2500	
Max. tightening torque	Nm		1.0	
Wire size	AWG/mm <sup>2</sup>		20-14/0.5-2.5	
Ambient temperature	°C		-45~+85	
Unit weight	g		35	43

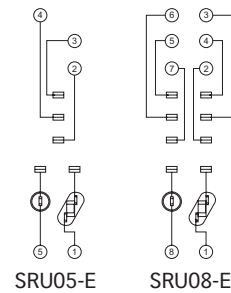
**Relay,accessories selection table**

Socket	Plastic clip	Metal clip	ID tag	Module	DIN rail	Bus jumper
SRU05-E	SR20T	-	SR2P	AMD	PFP	SR08B
SRU08-E						

**Dimensions (mm)**



**Connection Diagrams**



**>>> SRT□□-P**

**Presentation**



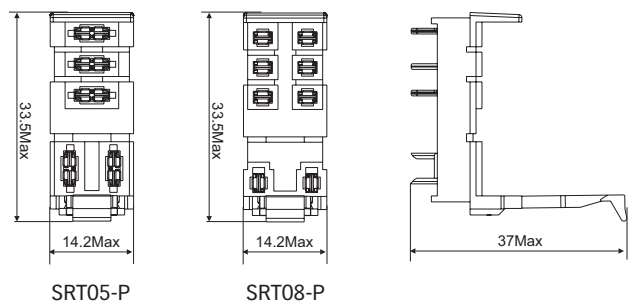
**10/16 AMPS 300 VOLTS**



**Characteristics**

Type			SRT05-P	SRT08-P
Nominal load	Current	A	16	10
	Voltage	V	300	
Dielectric strength	Between coil and contact	V/S	4000	
	Between contacts	V/S	2500	
Ambient temperature	°C		-40~+65	
Unit weight	g		4	

**Dimensions (mm)**



**Connection Diagrams**

