

Shenler

Bring reliability to everything we RELAY

Electromagnetic Relay Product Catalogue

Industrial Relays | Interface Relays | Timers | Sockets and Accessories



>>> About Shenler

Founded in 1985, Zhe Jiang Shenle Electric Co., Ltd. , is China leading industrial relay manufacturer with "Shenler" as China Top10 relay brand starting from 2007. Shenler focus on R & D, manufacturing and sales in industrial relay sector, providing more than 50 series, 1000 kinds of relay and socket products.

Shenler constantly maintains product consistency and reliability by implementing continuous improvement program through whole production process from product research and design, parts manufacturing, mold making, plastic injection to final assembling. In 2011, Shenler was awarded as Global Manufacturer by GMC audit committee.

Product Family	Certifications
P.C.B. Relays	UL
Industrial Relays	CSA
Interface Relays	CE
Timers	TUV
Sockets and Accessories	CQC

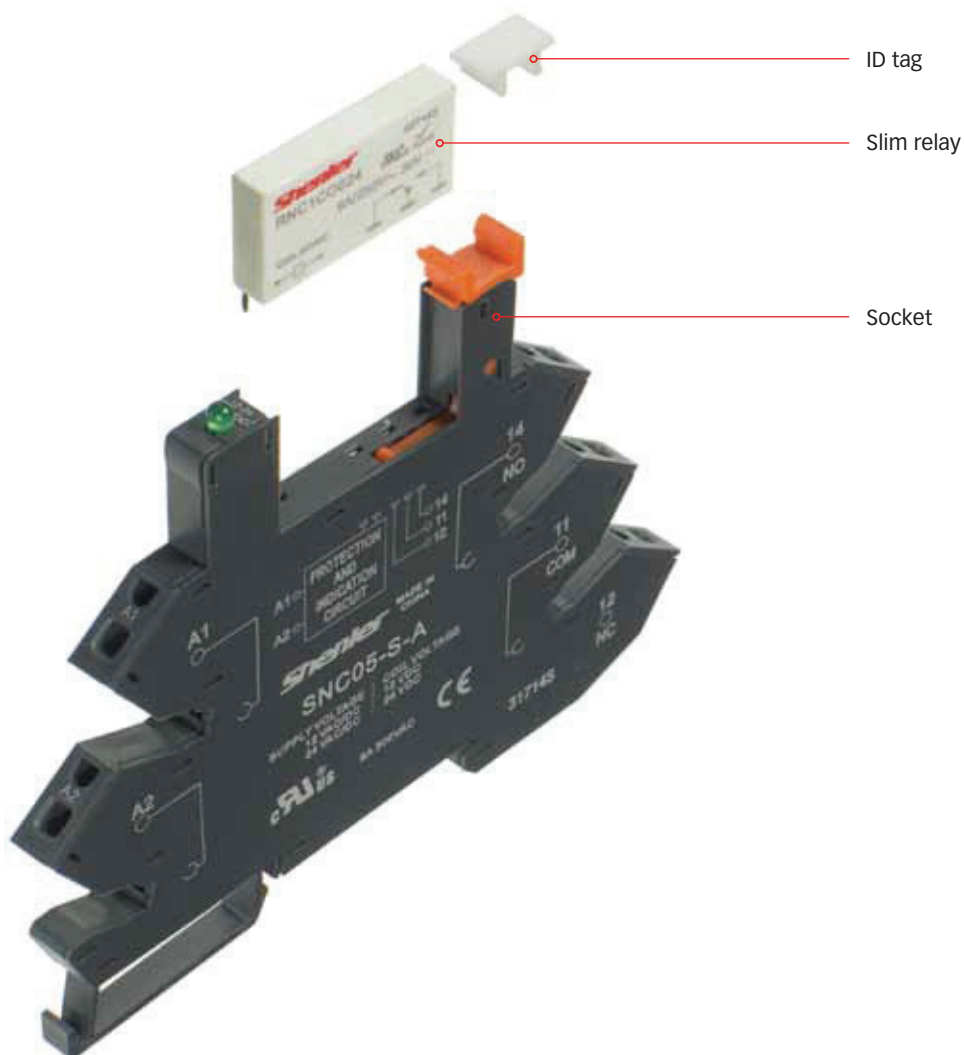
Over the years, Shenler has been committed to market acumen, technology innovation, and product quality to provide complete relay solutions to most industrial applications.

Shenler relays are widely used in construction machinery, hoisting machinery, machine tools, paper making equipment, motor control, lift, the robot, food and beverage, rubber machinery, ceramic machinery, printing and packaging, plastic machinery, textile machinery, logistics equipment, electronic manufacturing, petrochemicals, new energy and other fields.





Shenler has well established sales and service network covering mainland China and Taiwan, more than 50% products are exported to the United States, Germany, France, Italy, Japan, Korea and other countries and regions.

Shenler

>>> RNC Interface Relay



>>> Sockets and accessories selection table

			
SNC05-E	SNC05	SN20B	SN20S

Note: Applicable protection modules and accessories please refer to Page 52 to 54.



RNC1CO/1CP



Features

- > 5mm thickness, up to 6A breaking capacity.
- > Conformity with RoHS directive.
- > Wide choice of sockets available covering a range of voltages from 3 to 230V.

Ordering Information

RNC □ □ □ □

Contact form _____

1A (A: normal open)
1C (C: change over)

Terminal arrangement _____

O: Vertical pin
P: Horizontal pin

Coil voltage _____

003~060: 3~60VDC

Other options _____

Blank: Conventional
V: Coil consumption 0.21W (only to 3~24VDC)
G: Gold plated contact

Characteristics

	Configuration	1A, 1C
	Load Resistance	6A/250VAC 30VDC
	Switching capacity (resistive)	1500VA 180W
Contact	Initial contact resistance	≤100mΩ (gold plated contact ≤ 30mΩ)
	Material	Ag alloy
	Electrical durability	NO: 6x10 ⁴ ; NC: 30000 times (1800 Ops/h)
	Mechanical durability	≥2 x 10 ⁷ times (18000 Ops/h)
	Pick-up voltage (23°C)	DC: ≤75% (Rated voltage)
Drop-out voltage (23°C)	DC: ≥5% (Rated voltage)	
Maximum voltage (23°C)	110% (Rated voltage)	
Insulation resistance	≥1000mΩ (500VDC)	
Coil operating power	3~24 VDC	approx. 0.17 W
	48~60 VDC	approx. 0.21 W
Operate time (at nominal voltage)		≤8ms
Release time (at nominal voltage)		≤4ms
Initial breakdown voltage	Between open contacts	1000VAC/1min
	Between contacts and coil	4000VAC/1min
Ambient temperature		-40~+85°C
Humidity		5%~85%RH
Air pressure		86~106KPa
Shock resistance		10G
Vibration resistance		10~55Hz double-amplitude:1.0mm
Mounting		PCB
Unit weight		6g

>>> RNC Interface Relay

Coil Specifications (23°C)

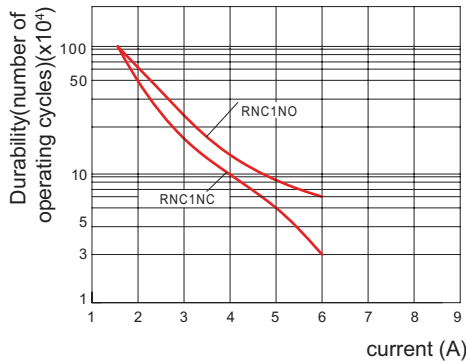
Voltage code	003	005	006	009	012	018	024
Nominal voltage V.DC (0.17W)	3	5	6	9	12	18	24
Coil resistance Ω	43	147	212	480	847	1906	3388
Voltage code	048	060					
Nominal voltage V.DC (0.21W)	48	60					
Coil resistance Ω	10971	17143					

Remarks: Coil resistances under coil voltage 48V are measured with tolerances of 10%; above coil voltages 48V are measured with tolerances of 15%.

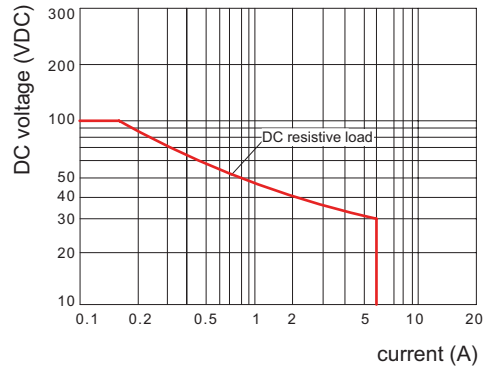
Contact Specification

RNC1A, 1C

Electrical durability contacts
(resistive load)

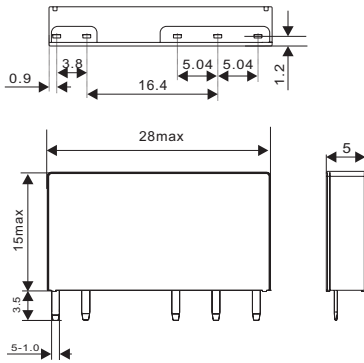


Maximum switching capacity
on resistive load

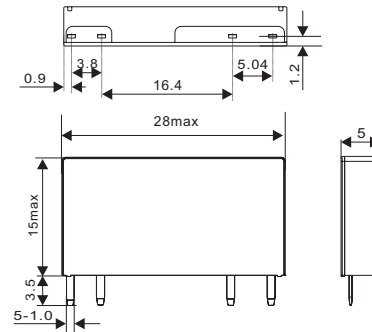


Dimensions (mm)

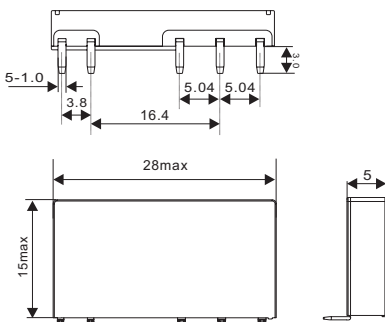
1CO



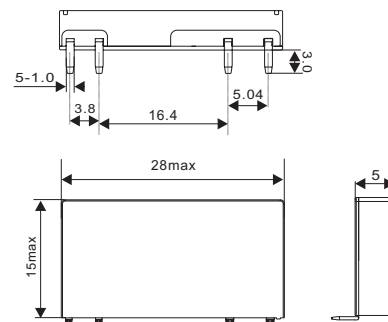
1AO



1CP



1AP

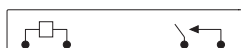


Wiring Diagrams

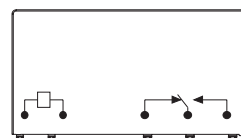
1CO Bottom view



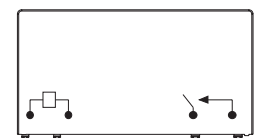
1AO Bottom view



1CP



1AP



RNC Socket

>>> SNC05-E

Presentation



8 AMPS 300 VOLTS



Model No.	Input	For use with relay coil voltage
SNC05-E-A	12/24V	12/24VDC
SNC05-E-B	48/60V	48/60VDC
SNC05-E-C	110V	60VDC
SNC05-E-D	230V	60VDC

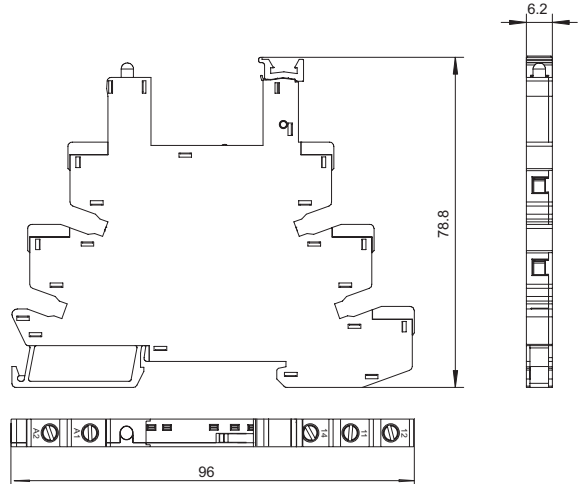
Characteristics

Nominal load	Current	A	8
	Voltage	V	300
Dielectric strength	Between coil and contact	V/S	4000
	Between contacts	V/S	2500
Max. tightening torque	Nm		0.5
Wire size	AWG/mm ²		20-16/0.5-1.5
Ambient temperature	°C		-40~+85
Unit weight	g		24

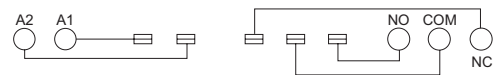
Relay accessories selection table

Socket	Bus jumper	Legend	Partition plate	DIN rail
SNC05-E	SN20B	SN64P	SN20S	PFP

Dimensions (mm)



Connection Diagrams



>>> SNC05-S

Presentation



8 AMPS 300 VOLTS



Model No.	Input	For use with relay coil voltage
SNC05-S-A	12/24V	12/24VDC
SNC05-S-B	48/60V	48/60VDC
SNC05-S-C	110V	60VDC
SNC05-S-D	230V	60VDC

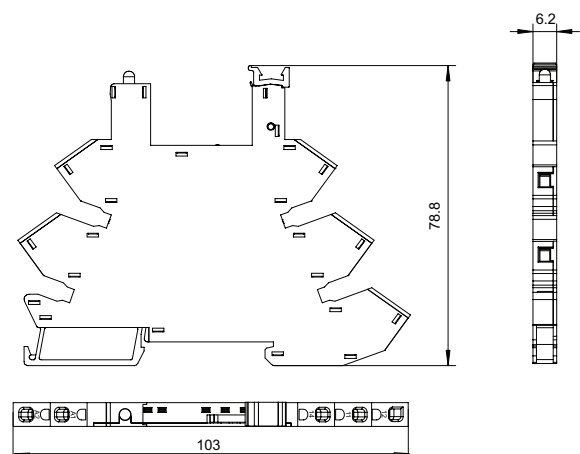
Characteristics

Nominal load	Current	A	8
	Voltage	V	300
Dielectric strength	Between coil and contact	V/S	4000
	Between contacts	V/S	2500
Max. tightening torque	Nm		-
Wire size	AWG/mm ²		20-16/0.5-1.5
Ambient temperature	°C		-40~+85
Unit weight	g		25

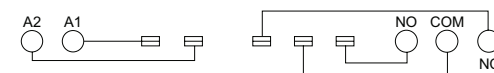
Relay accessories selection table

Socket	Bus jumper	Legend	Partition plate	DIN rail
SNC05-S	SN20B	SN64P	SN20S	PFP

Dimensions (mm)



Connection Diagrams



>>> RNC Interface Relay

RNC Socket

>>> SNC05

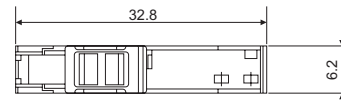
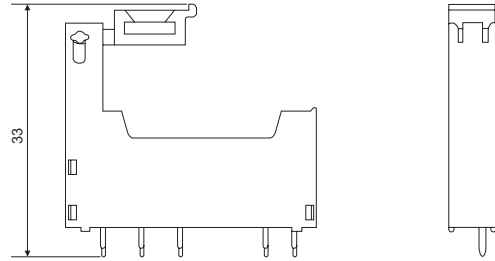
Presentation



8 AMPS 300 VOLTS



Dimensions (mm)



Characteristics

Nominal load	Current	A	8
	Voltage	V	300
Dielectric strength	Between coil and contact	V/S	4000
	Between contacts	V/S	2500
Ambient temperature		°C	-40~+85
Unit weight		g	25

Relay,accessories selection table

Socket	Bus jumper	Legend	Partition plate	DIN rail
SNC05	-	-	-	-

Connection Diagrams

