

# Serie ACQUA - Envolvente de superficie

## ACQUA range - Surface mounting enclosure

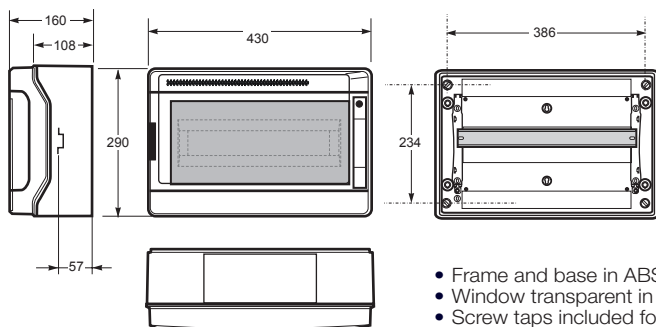
Ref: 39018-TTBY

**Dimensiones y características constructivas / Dimensions and constructional features**



Armario / Enclosure - Ref. Item **39018**

1 1



Dimensiones / Dimensions	
Altura / Height	290
Ancho / Width	430
Profundidad / Deep	160

Entradas / Entries	
Superior / Top	2x20; 8x25; 1x35
Inferior / Bottom	2x20; 8x25; 1x35

Norma / Norm: EN62208



Ref. Item **SPT18/36**

\* Incluye 1 SPT18/36 (1 Soporte rail + 2 terminales x (11x10 mm<sup>2</sup> + 11x16 mm<sup>2</sup>)  
 Include 1 SPT18/36 (1 Rail support + 2 terminals x (11x10 mm<sup>2</sup> + 11x16 mm<sup>2</sup>)



Ref. Item **39018**