

DATA SHEET

PORTLAND

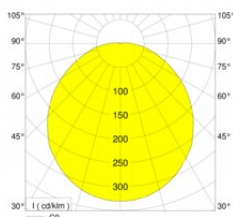
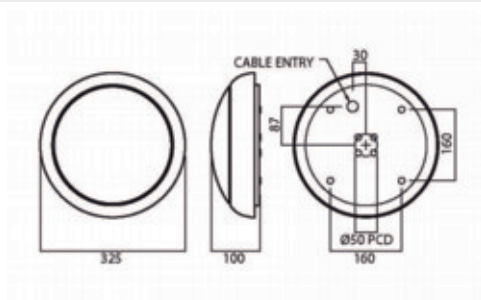
Portland 15W LED IP54 White Opal 840-850

IP54 CCT Selectable Decorative LED Bulkhead
 Polycarbonate Base, Bezel & Micro-prismatic Controller
 For Commercial Indoor Areas



GENERAL INFORMATION	
Product Code	NPO15/WH/O/840-850
Product Range	Portland
Product Category	Amenity
Fixing Method	Surface
IP Rating	54
IK Rating	N/A
Warranty	5 Years Unlimited Hours
DIMENSION/WEIGHT	
Dimensions (L x D x DIA) (mm)	L=undefined, D=100, DIA=325
Cut-out Size (mm)	N/A
Product Weight (Kg)	1.02
CONSTRUCTION	
Body Material	PC
Body Colour	White
Optical Material	PC
Optical Finish	Opal
Termination	4x2x2.5mm sq. Push In Terminal
Driver - Integral or Remote	Integral
PACKAGING	
Carton Dimensions (mm)	N/A
Quantity per Outer Carton	N/A
Total Weight incl. Carton (Kg)	N/A

LUMINAIRE PERFORMANCE	
Energy Rating	N/A
Luminaire Lumens (lm)	1270
Power Consumption (W)	15
Efficacy (l.lm/c.W)	85
Operating Temp. (Min/Max)	-20°C - 25 °C
LIGHT SOURCE	
Type	LED
Correlated Colour Temp.	4000 / 5000
Colour Rendering Index (CRI)	>80
Lumen Depreciation	L80:B10 50000
SDCM	≤ 3
ELECTRICAL INPUT	
Voltage (V)	220-240V AC
Operating Frequency	50
In Rush	<math>< 25A</math>
Drivers per MCB*	B10=16 B16=28
Class	Class 1
Power Factor	>0.95
Cable Entry	Back
ELECTRICAL OUTPUT	
Forward Current (mA)	N/A
Forward Voltage (Vf)	N/A
EMERGENCY DATA	
Mode of Operation	N/A
Battery Duration	N/A
Battery Type	N/A
Battery Specification	N/A
Ballast Lumen Factor (BLF)	N/A
DIMMING	
DALI	N/A
OTHER	N/A
Switch Dim	N/A
Corridor Function	N/A
SENSORS	
Microwave	N/A
PIR	N/A
STANDARDS/APPROVALS	
CE Marked	yes
Certificate of Conformity	yes
Accreditations	N/A
BARCODE	
EAN Number	5055943053908



* GUIDE ONLY