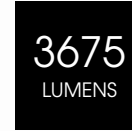
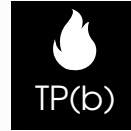


ONYX BACKLIT PANEL (6x6)

OX-BL-35-6X6NW



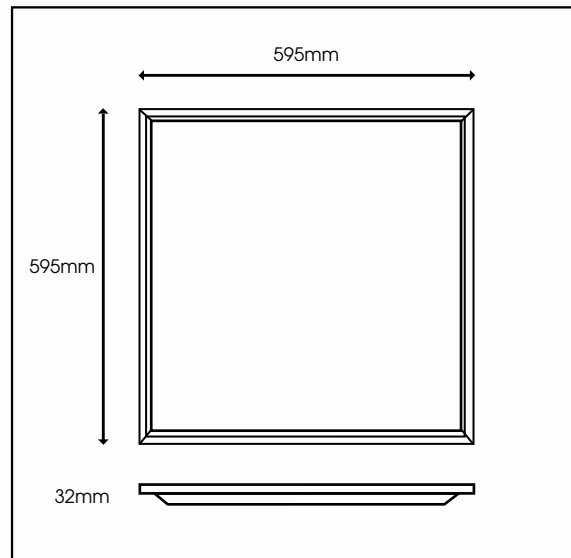
Q-DRIVE

EPISTAR

Driver as Standard

LED's inside

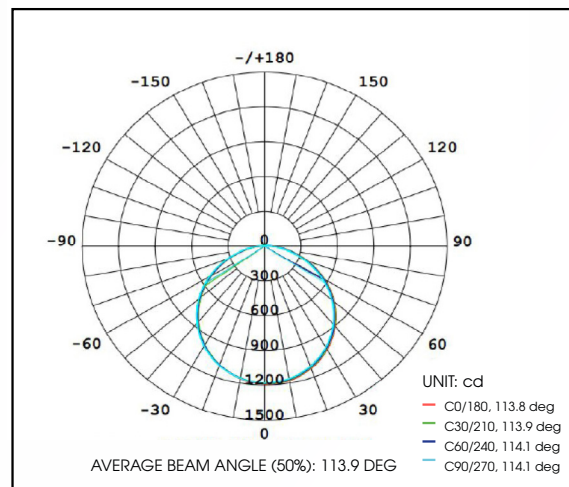
TECHNICAL DRAWINGS



| Specification | Onyx Backlit 6x6 |
|------------------------|--|
| System Power | 35W |
| Driver Manufacturer | Q-Drive |
| LED Chipset | Epistar |
| Diffuser | Opal |
| Colour Rendering Index | >85 |
| Typical UGR | <19 |
| LED Efficacy | 105 Lm/cW |
| Lumen Output | 3675Lm |
| Fire Rating | TP(b) |
| Dimmable | On request |
| Power Factor | 0.95 |
| IP Rating | IP44 |
| Beam Spread | 160 ° |
| Colour Type | Single |
| Colour Temperature | 4000K |
| Housing Material | High Grade 6063 Aluminium |
| Operating Temperature | -20 to 50 °C |
| Input Voltage | AC 200-240V, 47-63Hz |
| Weight | 2.5kg |
| Dimensions | 595mm x 595mm x 32mm |
| MacAdam Step | 2.8 |
| Lifetime | 50,000 hours, L70-B10 (Ta 25 °C) |
| CE Standards | EN60598-1, EN 60598 2-2, EN62493, EN55015, EN61547, EN61000-3-2, EN61000-3-3, EN62722-1, EN62722-2-1 and EN50581 |
| CE Directives | LVD, EMC, ERP & RoHS |

* Warranty terms and conditions apply

LUMINOUS INTENSITY DISTRIBUTION DIAGRAM



MODULAR & RECESSED RANGE