



LS ELECTRIC

G100

**General Purpose
Variable Frequency Drive
For 3-phase motors
3-phase 400V input, 0.4 ~ 22KW**

Part Number

LV **0055** **G100** - **4** **E** **O** **F** **N**

▲ ▲ ▲ ▲ ▲ ▲ ▲ ▲

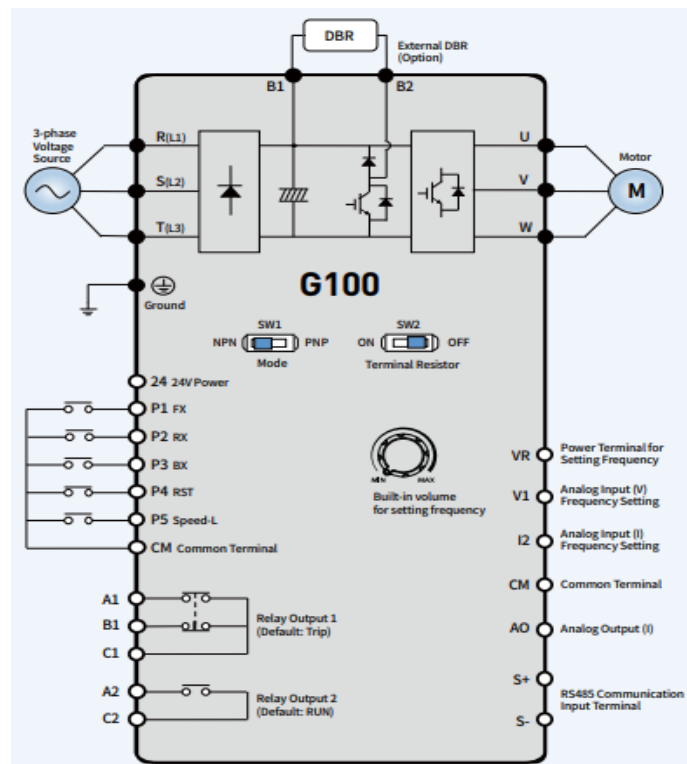
LS Low Voltage Series	Motor Rating	Series Name	Input Voltage	Keypad	Enclosure	EMC Filter	Reactor
	0008:0.75KW		G100	2: 3-ph 200~240V	E: LED	O: IP20	F: EMC filter built in
0040:4.0KW	4: 3-ph 380~480V						
0075: 7.5KW							

Specifications and Features

Nominal motor power kW	6 frame sizes 0.4KW ~ 22kW
Input Voltage	380~480V (-15% ~ +10%)
Input Frequency	50~60Hz (+/- 5%)
IP rating	IP20
Designed operating temperature	-10 to +50°C*
Keypad display type	LED 7-segment as standard
Keypad Potentiometer	Yes
Keypad remote mounting	Fixed keypad. Optional remote mounting keypad
DIN rail mounting	Yes (up to 2.2KW)
Side by side mounting	Yes (2mm side to side)
Dual rating for Fans and Pumps	Yes
Overload ratings	HD 150% x 1 minute. ND 120% x 1 minute
Integrated EMC Filter	Cat C3
Harmonic reducing DC reactor	No
On-board switching relays	1 x SPDT (C/O), 1 x SPST
Programmable digital inputs	5
Programmable Preset Speeds	7
DC injection braking	Yes
Integrated brake chopper	Yes
Motor control method	V/F, Slip Compensation, Sensorless
NPN/PNP logic selectable	Yes
PID control with Sleep/Wake function	Yes

Current Ratings, Dimensions and Weight

Part Number	Nominal KW (HD)	Nominal KW (ND)	Rated Current (A)(HD)	Rated Current (A)(ND)	Dimensions w x h x d (mm)	Mass (Kg)
LV0004G100-4EOFN	0.4	0.55	1.3	2	86.2 x 164 x 131.5	1.04
LV0008G100-4EOFN	0.8	1.1	2.5	3.1		1.08
LV0015G100-4EOFN	1.5	1.5	4	5.1	101 x 177 x 150.5	1.44
LV0022G100-4EOFN	2.2	3.0	5.5	6.9		1.46
LV0040G100-4EOFN	4.0	4.0	9	10	135 x 193 x 150.5	1.98
LV0055G100-4EOFN	5.5	7.5	12	16	180 x 240 x 144	3.24
LV0075G100-4EOFN	7.5	11.0	16	23		3.28
LV0110G100-4EOFN	11.0	15.0	24	31	180 x 290 x 173	5.04
LV0150G100-4EOFN	15.0	18.5	31	38		5.06
LV0185G100-4EOFN	18.5	22.0	39	45	260 x 400 x 187	7.96
LV0220G100-4EOFN	22.0	30.0	45	61		7.98



Control board I/O

Terminal pitch	5mm
24V DC output (100mA)	24
Pot. Supply (+10V, 100mA)	VR
Analogue inputs (0~ +10V), (0~20mA / 4-20mA)	V1, I2
Analogue voltage O/P (0~ +12V, 10mA))	AO
I/O common (not comms)	CM (2 inputs)
Programmable relays (2)	A1,B1,C1 plus A2, C2
Programmable digital I/P	P1~P5 (5 inputs)
NPN/PNP selector switch	SW1
RS485 / Modbus RTU communications	S+, S-,
RS485 Terminating Resistor	SW2 (Switchable IN/OUT)

*Restrictions apply, see G100 User Manual