

430031

Technical Specification

Stanford Anti-Corrosive 6ft Twin 72W 4000K Grey



## Product Information

<b>Product Group</b>	Linear Lighting
<b>Description</b>	Stanford Anti-Corrosive 6ft Twin 72W 4000K Grey
<b>Product Name</b>	Stanford
<b>Product Type</b>	LED Anti-Corrosive
<b>Product Colour</b>	Grey
<b>Warranty</b>	5 Years

## General Information

<b>IP Rating</b>	IP65
<b>IK Rating</b>	IK08
<b>Operating Temperature</b>	-20 - 40 °C
<b>Beam Angle</b>	115 Degree
<b>Body Material</b>	ABS

**430031**

**Technical Specification**

<b>Clip Type</b>	Stainless Steel
<b>Diffuser Material</b>	Polycarbonate
<b>Mounting Type</b>	Surface Mount   Suspended

## LED Information

<b>LED Type</b>	SMD
<b>LED Manufacturer</b>	SMALITE
<b>Lumen Output +/- 10%</b>	8871lm
<b>Lumens Per Circuit Watt</b>	125Lm/W
<b>LED Lifetime L70</b>	50000 h
<b>CCT</b>	4000K
<b>CRI</b>	>80

## Electrical Information

<b>Class</b>	Class I
<b>Connection Type</b>	Screw Terminal
<b>Circuit Wattage</b>	71.0W

## Driver Information

<b>Driver Brand</b>	Tridonic ENEC
<b>Input Voltage</b>	220 - 240V AC
<b>Input Current</b>	0.319 A
<b>Operating Frequency</b>	50 - 60Hz
<b>Power Factor</b>	>0.90

430031

Technical Specification

## Shipping Information

Product Weight	3.45Kg
Carton Dimensions	1860mm x 300mm x 205mm
Qty Per Outer Carton	4
Barcode	5055379533999

## Certification

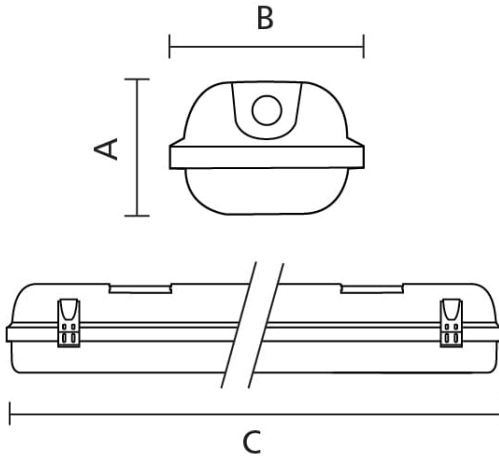
Manufactured in Accordance to	BS EN 60598-1
CE Marked	Yes

## Product Dimensions

(C)	1837 mm
(A)	90 mm
(B)	140 mm

430031

Technical Specification



Datasheet generated by <https://www.onetimepim.com>, last updated: Friday, 02 July 2021 01:04:05