

430027

Technical Specification

Stanford Anti-Corrosive 4ft Twin 38W 4000K Grey



Product Information

Product Group	Linear Lighting
Description	Stanford Anti-Corrosive 4ft Twin 38W 4000K Grey
Product Name	Stanford
Product Type	LED Anti-Corrosive
Product Colour	Grey
Warranty	5 Years

General Information

IP Rating	IP65
IK Rating	IK08
Operating Temperature	-20 - 40 °C
Beam Angle	115 Degree
Body Material	ABS

430027

Technical Specification

Clip Type	Stainless Steel
Diffuser Material	Polycarbonate
Mounting Type	Surface Mount Suspended

LED Information

LED Type	SMD
LED Manufacturer	SMALITE
Lumen Output +/- 10%	4736lm
Lumens Per Circuit Watt	125Lm/W
LED Lifetime L70	50000 h
CCT	4000K
CRI	>80

Electrical Information

Class	Class I
Connection Type	Screw Terminal
Circuit Wattage	38W

Driver Information

Driver Brand	Tridonic ENEC
Input Voltage	220 - 240V AC
Input Current	0.168 A
Operating Frequency	50 - 60Hz
Power Factor	>0.90

430027

Technical Specification

Shipping Information

Product Weight	2.26Kg
Carton Dimensions	1295mm x 300mm x 205mm
Qty Per Outer Carton	4
Barcode	5055379533913

Certification

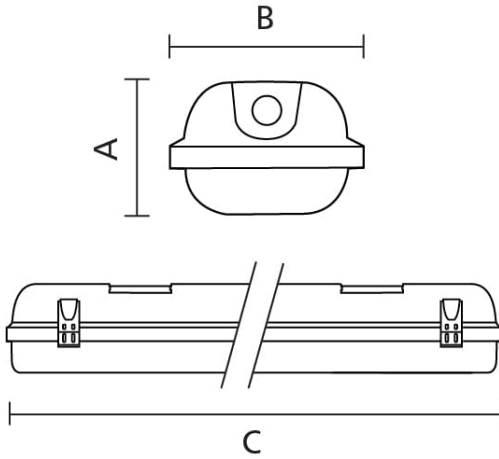
Manufactured in Accordance to	BS EN 60598-1
CE Marked	Yes

Product Dimensions

(C)	1274 mm
(A)	90 mm
(B)	140 mm

430027

Technical Specification



Datasheet generated by <https://www.onetimepim.com>, last updated: Friday, 02 July 2021 01:03:50