

430028

Technical Specification

Stanford Anti-Corrosive 5ft Single 27W 4000K Grey



## Product Information

<b>Product Group</b>	Linear Lighting
<b>Description</b>	Stanford Anti-Corrosive 5ft Single 27W 4000K Grey
<b>Product Name</b>	Stanford
<b>Product Type</b>	LED Anti-Corrosive
<b>Product Colour</b>	Grey
<b>Warranty</b>	5 Years

## General Information

<b>IP Rating</b>	IP65
<b>IK Rating</b>	IK08
<b>Operating Temperature</b>	-20 - 40 °C
<b>Beam Angle</b>	115 Degree
<b>Body Material</b>	ABS

430028

## Technical Specification

Clip Type	Stainless Steel
Diffuser Material	Polycarbonate
Mounting Type	Surface Mount   Suspended

## LED Information

LED Type	SMD
LED Manufacturer	SMALITE
Lumen Output +/- 10%	3664lm
Lumens Per Circuit Watt	133Lm/W
LED Lifetime L70	50000 h
CCT	4000K
CRI	>80

## Electrical Information

Class	Class I
Connection Type	Screw Terminal
Circuit Wattage	27.5W

## Driver Information

Driver Brand	Tridonic ENEC
Input Voltage	220 - 240V AC
Input Current	0.123 A
Operating Frequency	50 - 60Hz
Power Factor	>0.90

430028

Technical Specification

## Shipping Information

Product Weight	1.96Kg
Carton Dimensions	1595mm x 300mm x 205mm
Qty Per Outer Carton	6
Barcode	5055379533937

## Certification

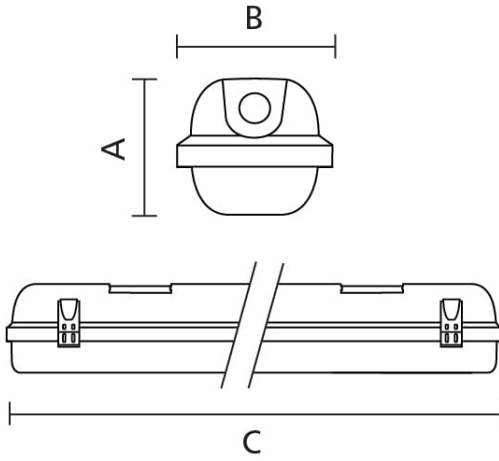
Manufactured in Accordance to	BS EN 60598-1
CE Marked	Yes

## Product Dimensions

(C)	1574 mm
(A)	90 mm
(B)	100 mm

430028

Technical Specification



Datasheet generated by <https://www.onetimepim.com>, last updated: Friday, 02 July 2021 01:03:53