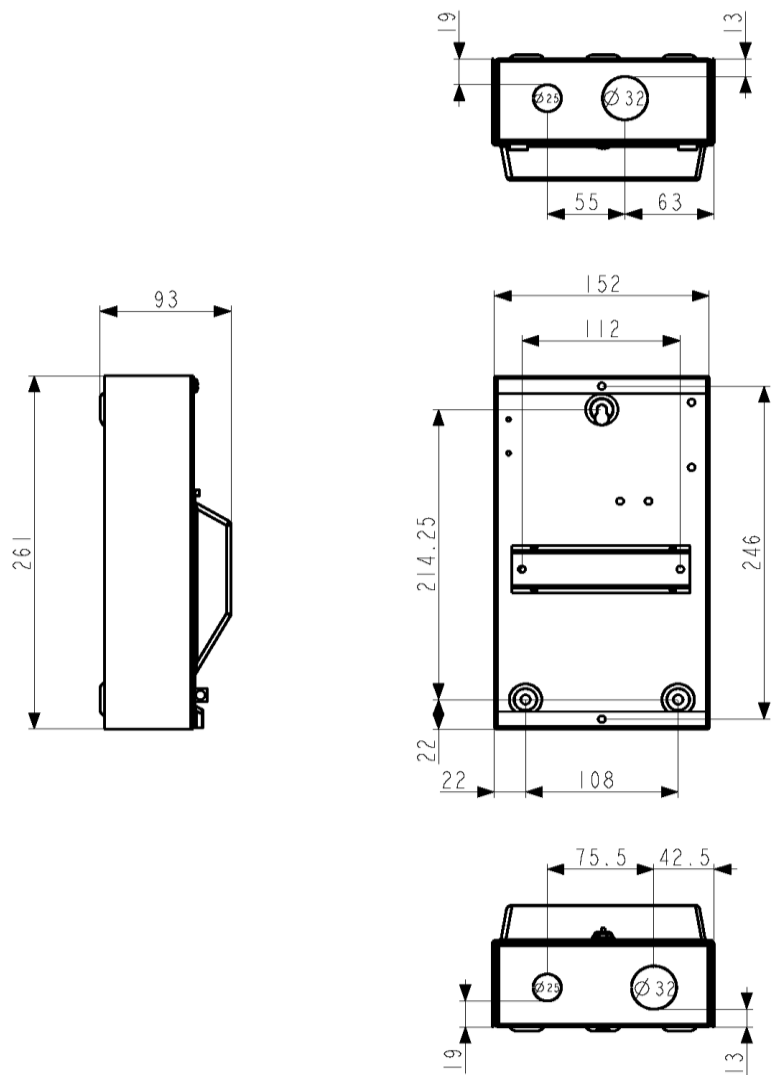


EV CHARGER DISTRIBUTION BOARDS						
PART NUMBER	EV32A	EV32AX	EV40A	EV40AX	EV32B	EV40B
GTIN-13	5060523523740	5060523523757	5060523524310	5060523524327	5060523524297	5060523524303
RATING (A)	32A	32A	40A	40A	32A	40A
RATED RESIDUAL OPERATING CURRENT (IΔn)	30mA	30mA	30mA	30mA	30mA	30mA
RCBO /RCD TYPE	TYPE A (RCBO)	TYPE A (RCBO)	TYPE A (RCBO)	TYPE A (RCBO)	TYPE B (RCD)	TYPE B (RCD)
MCB RATING/ Tripping Curve	B CURVE	B CURVE	B CURVE	B CURVE	32A B CURVE	40A B CURVE
NUMBER OF POLES	1P+N (SWITCHED)	1P+N (SWITCHED)	1P+N (SWITCHED)	1P+N (SWITCHED)	2	2
T2 SPD	N	Y	N	Y	N	N
DIMENSION DRAWING	4E	6P	4E	6P	6P	6P
WEIGHT (1PC) Kg	2.5	2.5	2.5	3	3	3
DIMENSIONS (HxWxD)mm	261x152x93	259x162x113	261x152x93	259x162x113	259x162x113	259x162x113
DC MAX	6mA	6mA	6mA	6mA	10mA	10mA
STANDARD	EN 61439-3					
RATED VOLTAGE (Un/AC)	230V					
FREQUENCY (Hz)	50/60					
PROTECTION DEGREE (IP)	2XC					
MAXIMUM TERMINAL BAR CAPACITY	16mm ²					
TERMINAL BAR TIGHTENING TORQUE (Nm)	2.0					
MOUNTING	35mm DIN RAIL					
MATERIAL	1mm ELECTRO GALVANISED STEEL (ZINC)					
FINISH	RAL 9001 POWDER COATED SMOOTH FINISH					
ACCESSORY PACK (4E)	CIRCUIT IDENTIFICATION LABELS					
ACCESSORY PACK (6P)	CIRCUIT IDENTIFICATION LABELS / GROMMET STRIP					
ORIGIN OF MANUFACTURE	CHINA					

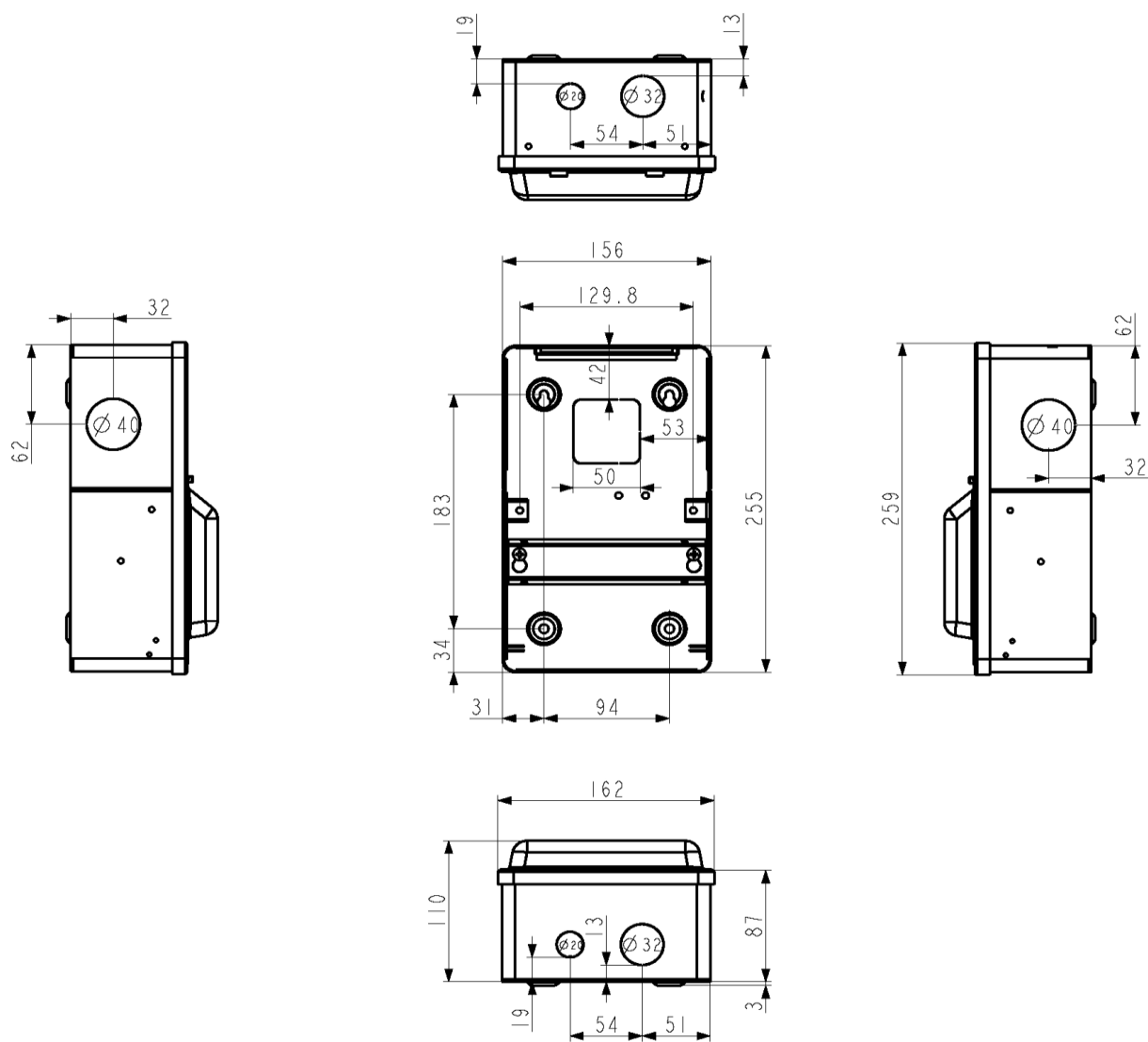


DIMENSIONS

4E



6P



EV32A



1P+N (SWITCHED) POLE MINI RCBO

EV32AX



1P+N (SWITCHED) MINI RCBO
T2 SPD

EV40B



TYPE B RCD 2P
40A B CURVE MCB

