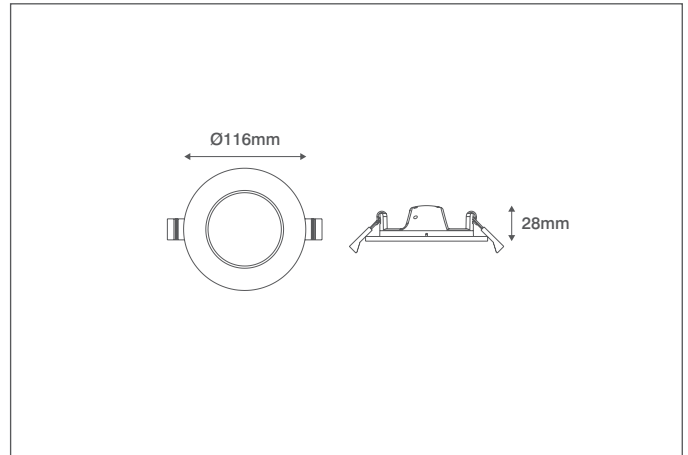


POLYPANEL

Technical Specification

Product Code: OV6106CW

Description: 6W 116mm Diameter LED Downlight CW White



General Information

Dimensions (mm)	116 (Dia.) x 28 (D)
Materials	Body: Polycarbonate + ABS; Diffuser: Polystyrene; Light Guide Plate (LGP): Polystyrene
Finish	White (RAL 9016)
Product Weight (Kg)	0.13
Cutout Diameter (mm)	100
Ingress Protection	IP20
Maximum Ceiling Thickness (mm)	20
Warranty (Years)	2

Supply & Power Information

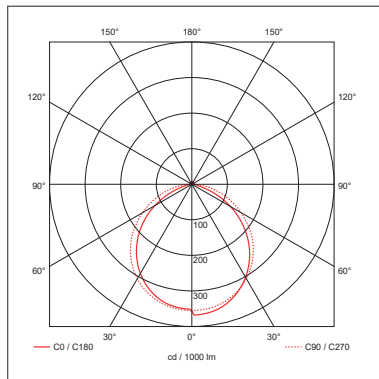
Input Voltage & Frequency (V~ / Hz)	200-240 50/60
Safety Class	II
Circuit Wattage (W)	6
Input Current (mA)	50±10
Power Factor	>0.5
Operating Temperature (°C)	-10 to +40
Critical Temperature (°C)	+85
Driver Information	Integrated
Input Terminations	Terminal Block (Screw Terminals)

Luminaire Output

Colour Temperature (K)	4000
Colour Render Index (CRI)	>80
Typical Luminous Flux (lm)	390
Efficacy (lm/W)	65
Beam Angle (°)	110
Energy Classification	G
LED Lifetime (L70) (Hours)	30000

Dimming Information

Dimmable	No
----------	----



OVIA Limited, Scolmore House, Mariner, Lichfield Road Industrial Estate, Tamworth, Staffordshire, B79 7UL United Kingdom

T: +44 (0)1827 300640

E: sales@oviaUK.com | W: oviaUK.com

