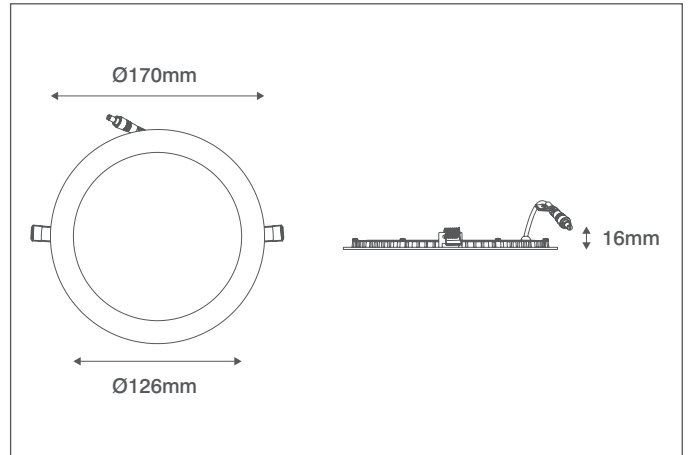


ALUPANEL

Technical Specification

Product Code: OV6212CW

Description: 12W 170mm Diameter LED Downlight IP44 CW White



General Information

Dimensions (mm)	170 (Dia.) x 20.5 (D)
Materials	Body: Powdercoated Aluminium; Diffuser: Polystyrene; Light Guide Plate (LGP): Polystyrene
Finish	White (RAL 9003)
Product Weight (Kg)	0.25
Cutout Diameter (mm)	155
Recess Depth Without Driver (mm)	16
Ingress Protection	IP44
Maximum Ceiling Thickness (mm)	32
Warranty (Years)	3

Compatible Accessories

- OVCGMF0003 - 240V~ 12.7-33.7W Multi-function Dimmable Constant Current LED Driver
- OVEMCG50 - 3 Hour Emergency Pack
- OVEMCG50ST - 3 Hour Self-Test Emergency Pack

Supply & Power Information

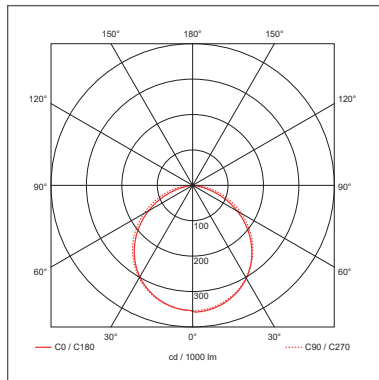
Input Voltage & Frequency (V~ / Hz)	220-240 50/60
Safety Class	II
Circuit Wattage (W)	12
Input Current (mA)	280
Inrush Current/Time	1.5A (<5ms)
Power Factor	>0.5
Operating Temperature (°C)	-20 to +40
Critical Temperature (°C)	+45
Driver Information	Remote Driver Supplied
Prewired Flow™ Connector	3 Pole CT105-F Push-fit Terminals

Luminaire Output

Colour Temperature (K)	4000
Colour Render Index (CRI)	>80
Typical Luminous Flux (lm)	850
Efficacy (lm/W)	70
Beam Angle (°)	120
Energy Classification	G
LED Lifetime (L70) (Hours)	20000

Dimming Information

Dimmable	No
----------	----



OVIA Limited, 1 Scolmore Park, Landsberg, Lichfield Road Industrial Estate, Tamworth, Staffordshire, B79 7XB United Kingdom

T: +44 (0)1827 300640

E: sales@oviaUK.com | W: oviaUK.com

