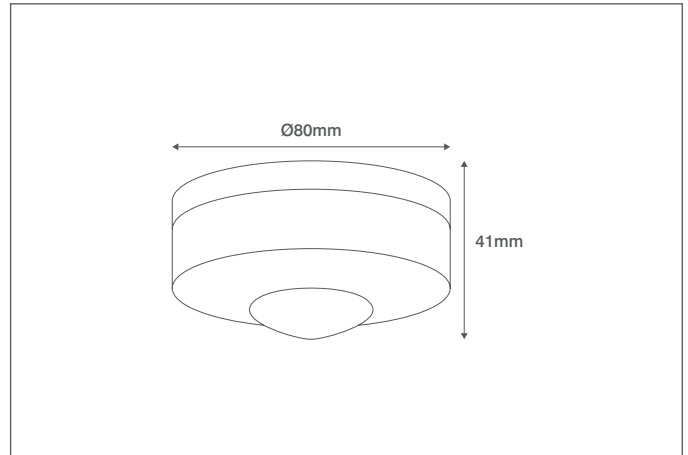


# CONTROLS

## Technical Specification

Product Code: OVPIR005WH

Description: Surface Mounted 360° Compact PIR IP44 White



### General Information

Dimensions (mm)	80 (Dia.) x 41 (D)
Materials	Body: Polycarbonate (UV Stabilised)
Finish	White
Product Weight (Kg)	0.11
Working Humidity (%RH)	<93
Ingress Protection	IP44
Warranty (Years)	5

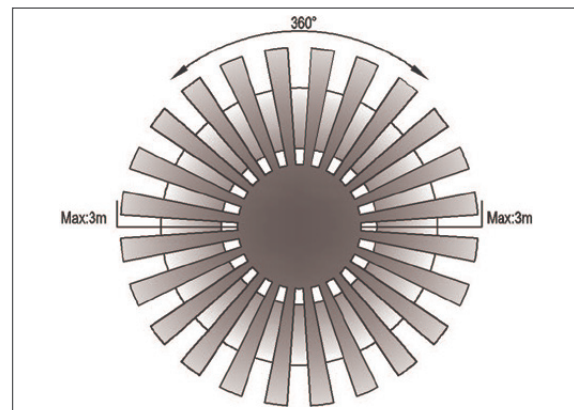
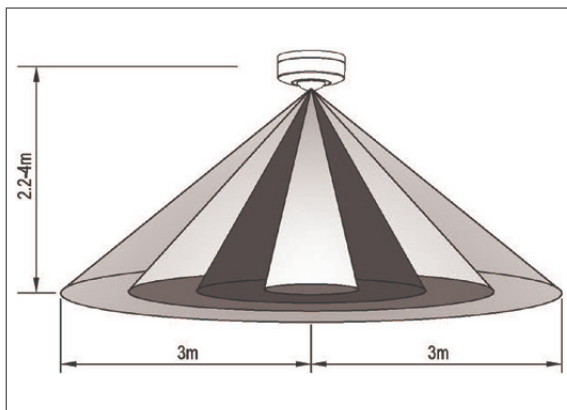
### Supply & Power

Input Voltage & Frequency (V~ / Hz)	220-240 50/60
Terminations Input:	Permanent Live & Neutral
Output:	Switched Live (All Screw Terminals)
Safety Class	II
Load Rating - LED & CFL(W)	300
Load Rating - Incan. & Halogen (W)	1200
Zero Cross Technology	Yes
Power Consumption	0.5

### Sensor Parameters & Settings

Installation Height (M)	2.24	
Detection Diameter (M)	6	
Detection Angle (°)	360	
Detection Motion Speed	0.6 to 1.5	
Manual Adjustments	Adjustment Type	Rotary Controls
	Time Delay	10 Seconds (Min. +3 Seconds) to 15 Minutes (Max. +2 Minutes)

### Detection Area Schematics



OVIA Limited, Scolmore House, Mariner, Lichfield Road Industrial Estate, Tamworth, Staffordshire, B79 7UL United Kingdom

T: +44 (0)1827 300640

E: sales@oviaUK.com | W: oviaUK.com