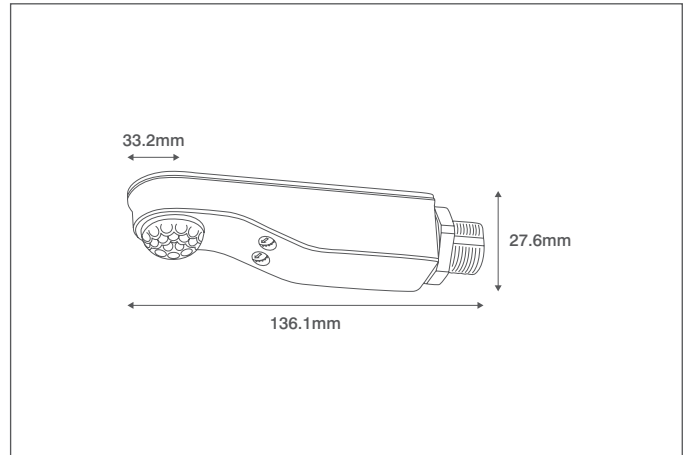


CONTROLS

Technical Specification

Product Code: OVPIR010WH

Description: Luminaire Mounted 360° PIR IP65 White



General Information

Dimensions (mm)	136.1 (L) x 33.2 (W) x 27.6 (D)
Materials	Body: Polycarbonate (UV Stabilised)
Finish	White
Cutout Diameter (mm)	20
Thread Length (mm)	20
Product Weight (Kg)	0.06
Working Humidity (%RH)	<93
Ingress Protection	IP65
Warranty (Years)	5

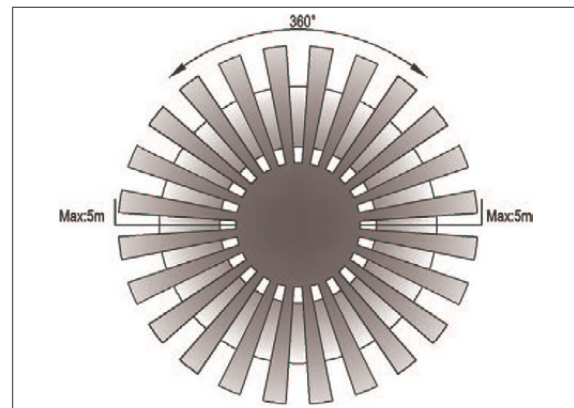
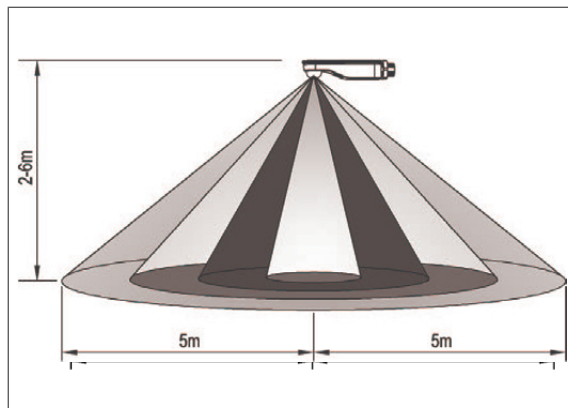
Supply & Power

Input Voltage & Frequency (V~ / Hz)	220-240 50/60
Terminations Input:	Permanent Live & Neutral
Output:	Switched Live (All Screw Terminals)
Safety Class	II
Load Rating - LED & CFL(W)	500
Load Rating - Incan. & Halogen (W)	1200
Zero Cross Technology	Yes
Power Consumption	0.5

Sensor Parameters & Settings

Installation Height (M)	26	
Detection Diameter (M)	10	
Detection Distance (M)	6	
Detection Angle (°)	360	
Detection Motion Speed	0.6 to 1.5	
Manual Adjustments	Adjustment Type	Rotary Controls
	Time Delay	10 Seconds (Min. +3 Seconds) to 30 Minutes (Max. + 2 Minutes)

Detection Area Schematics



OVIA Limited, Scolmore House, Mariner, Lichfield Road Industrial Estate, Tamworth, Staffordshire, B79 7UL United Kingdom

T: +44 (0)1827 300640

E: sales@oviaUK.com | W: oviaUK.com