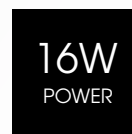


TAURUS TRI-COLOUR BULKHEAD

TAU-16-325TC

QVIS[®]

LIGHTING & SECURITY



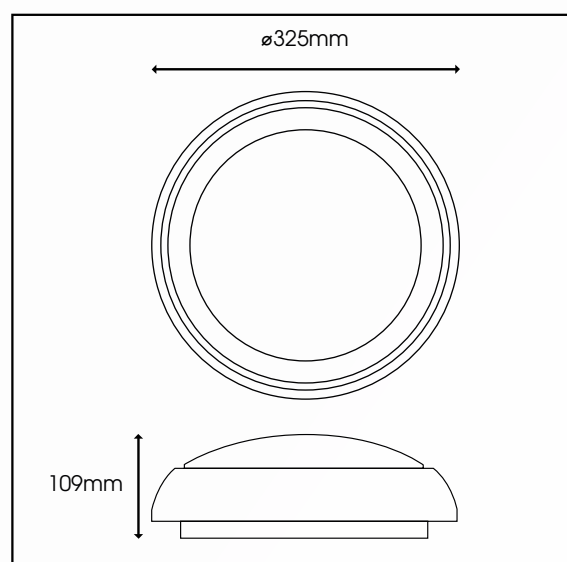
Lifud

Driver as Standard

EPISTAR

LED's inside

TECHNICAL DRAWINGS



Specification	Taurus
System Power	16W
Driver Manufacturer	Lifud
LED Chipset	Epistar
Colour Rendering Index	>80
Lumen Output	1680Lm
LED Efficacy	105 Lm/cW
Dimmable	Contact Office
IK Rating	IK10
IP Rating	IP54
Power Factor	>0.9
Beam Spread	120 °
Colour Temperature	3000K/4000K/6000K
Operating Temperature	-20 to 40 °C
Weight	0.89kg
Dimensions	325mm x 109mm
MacAdam Step	2.8
Lifetime	50,000 hours, L70-B10 (Ta 25 °C)
CE Standards	EN60598-1, EN62493, EN55015, EN61547, EN61000-3-2, EN61000-3-3, EN62722-1, EN62722-2-1 and EN50581
CE Directives	LVD, EMC, ERP & RoHS

* Warranty terms and conditions apply

● SURFACE & SUSPENDED RANGE