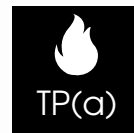


# TAURUS TRI-COLOUR BULKHEAD

TAU-16-325TC/EM



LIGHTING & SECURITY



Driver as Standard



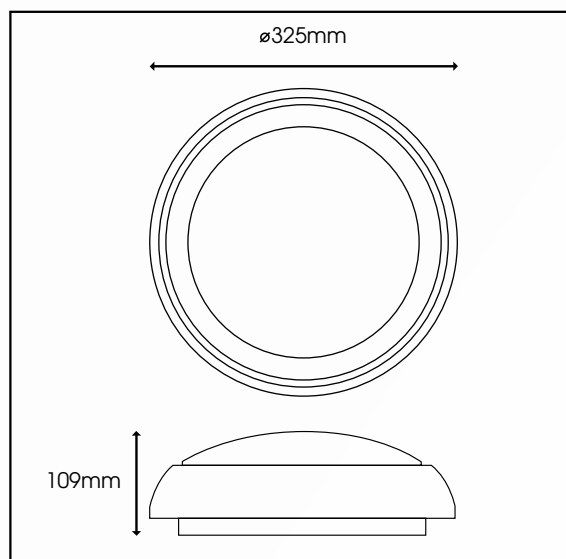
LED's inside

Specification	Taurus
System Power	16W (Emergency 3W)
Driver Manufacturer	Lifud
LED Chipset	Epistar
Colour Rendering Index	>80
Lumen Output	1680Lm (Emergency 315Lm)
LED Efficacy	105 Lm/cW
Dimmable	Contact Office
IP Rating	IP65
Power Factor	>0.9
Beam Spread	120 °
Colour Temperature	3000K/4000K/6000K
Operating Temperature	-20 to 40 °C
Weight	0.89kg
Dimensions	ø325mm x 109mm
Lifetime	50,000 hours, L70-B10 (Ta 25 °C)
Emergency Output	3 Hours (3W)*
CE Standards	EN60598-1, EN62493, EN55015, EN61547, EN61000-3-2, EN61000-3-3, EN62722-1, EN62722-2-1 and EN50581
CE Directives	LVD, EMC, ERP & RoHS

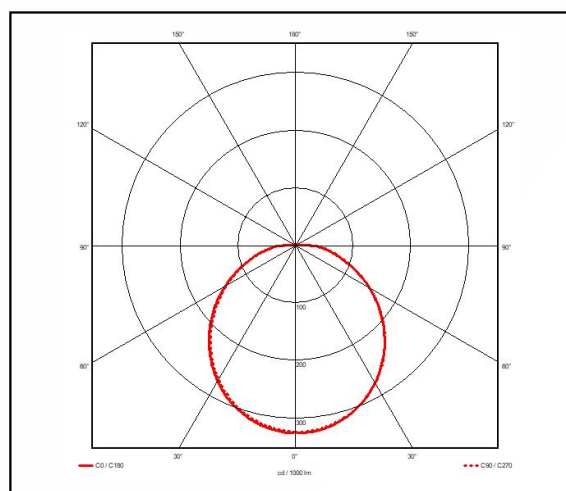
\* Warranty terms and conditions apply

\*For emergency products with a rated service life of < 50,000 operating hours, QVIS offers a 5-year warranty period on the luminaire and 1-year warranty period on the battery pack

## TECHNICAL DRAWINGS



## LUMINOUS INTENSITY DISTRIBUTION DIAGRAM



● SURFACE & SUSPENDED RANGE