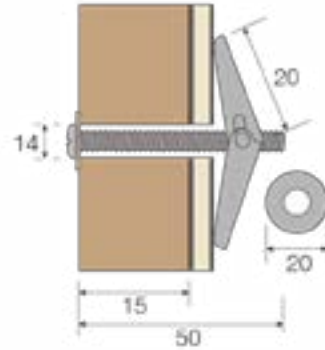


Product Code: Q-04205

Description: M5 x 50mm Spring Toggles

**Dimensions**

| | |
|--------------------------------|----|
| Thread Length (mm) | 50 |
| Thread Size | M5 |
| Drill Size (mm) | 14 |
| Maximum Fixture Thickness (mm) | 15 |
| Arm Length (mm) | 20 |
| Washer Outer Diameter (mm) | 20 |

General Information

| | |
|-----------|------------------|
| Head Type | Slotted Pan Head |
|-----------|------------------|

Materials

Material: Zinc Plated Carbon Steel

Additional Information

Ideal solution for fixing items such as light fittings and smoke alarms to cavity walls and low structural strength ceilings

