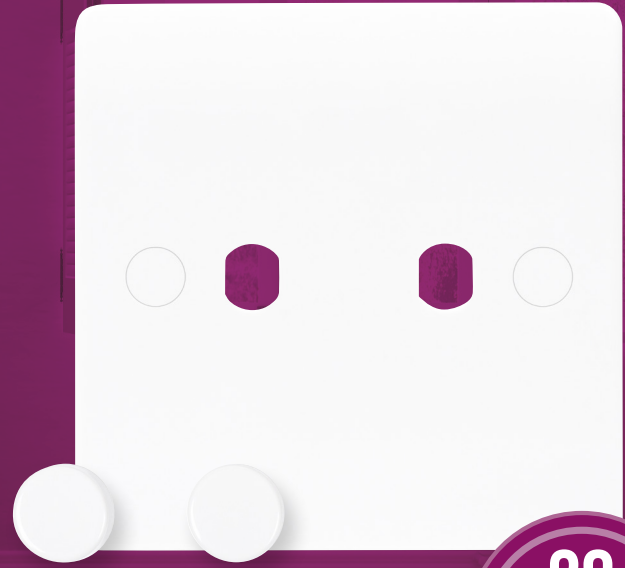


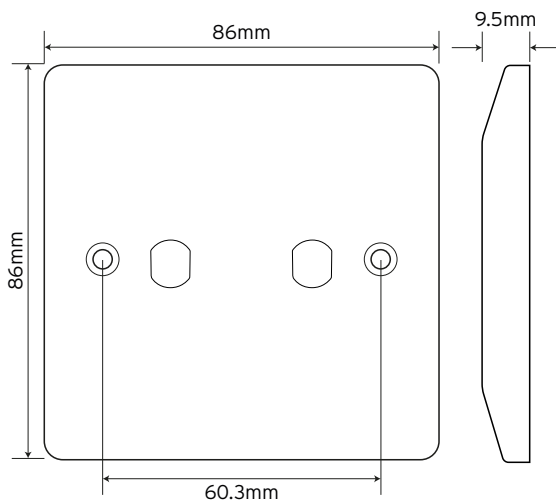
NDP2 Dimmer Plate & Knobs



**20
YEAR
GUARANTEE**

A new take on traditional moulded wiring accessories manufactured in bright white Urea.

Technical Drawing



Technical Specifications

No Gangs	2
Material Composition	Front Plate - Urea
Back Box Depth	Dependent on modules fitted
Warranty	20 Years
Anti Microbial Certified	Yes
IP Rating	IP20
Operational Temperature	-5° to +40°C
Standards	BS 5733 : 2010 + A1 : 2014, Modified ISO 22196
Dimensions	86x86x9.5mm (HxWxD)