

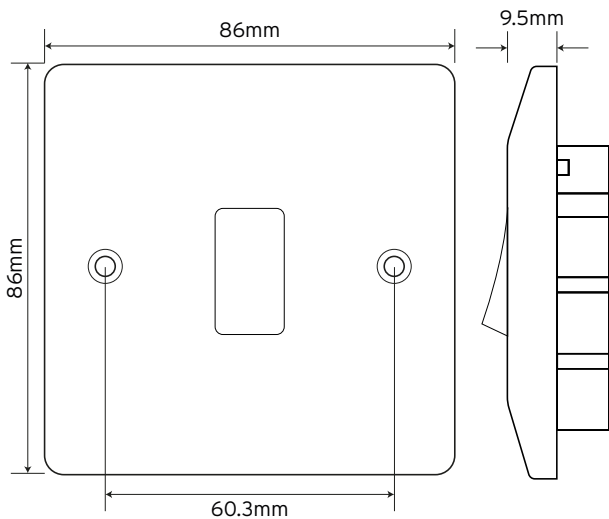
NSP20DP 20A Double Pole Switch



**20
YEAR
GUARANTEE**

A new take on traditional moulded wiring accessories manufactured in bright white Urea.

Technical Drawing



Technical Specifications

Material Composition	Front Plate & Rocker Switch - Urea Rear Housing - Nylon & Urea Terminals - Brass, Terminal Screws - Steel & Yellow Passivated Internal Mechanism - Formed Press Brass Silver "on-lay" Copper / Brass Contacts
Voltage	240V ~ 50Hz
Current Rating	20A
Terminal Size	5mm ϕ
Torque Value	1.8Nm
Cable Size	4 x 2.5mm ²
Double Pole	Yes
Twin Earth	Yes
Back Box Depth	35-47mm
Warranty	20 Years
Anti Microbial Certified	Yes
IP Rating	IP20
Operational Temperature	-5° to +40° C
Standards	The Low Voltage Directive 2006/95/EC BS EN 60669-1:1999 + A1:2002 + A2:2008 Modified ISO 22196
Dimensions	86x86x9.5mm (HxWxD)