

# NFS13DP-F

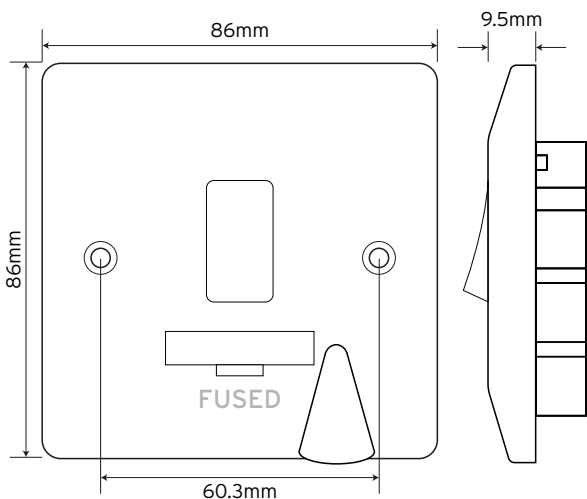
## 13A Switched Fused Connection Unit



**20  
YEAR  
GUARANTEE**

A new take on traditional moulded wiring accessories manufactured in bright white Urea.

### Technical Drawing



### Technical Specifications

|                                 |  |
|---------------------------------|--|
| <b>Material Composition</b>     | Front Plate, Rocker Switch & Rear Housing - Urea<br>Terminals - Brass<br>Terminal Screws - Steel & Yellow Passivated<br>Internal Mechanism - Formed Press Brass<br>Silver "on-lay" Copper / Brass Contacts |
| <b>Voltage</b>                  | 240V~ 50Hz   |
| <b>Current Rating</b>           | 13A  |
| <b>Terminal Size</b>            | 5mm $\phi$   |
| <b>Torque Value</b>             | 2.5Nm  |
| <b>Cable Size</b>               | 3 x 2.5mm <sup>2</sup> or 2 x 4.0mm <sup>2</sup>   |
| <b>Double Pole</b>              | Yes  |
| <b>Twin Earth</b>               | Yes  |
| <b>Back Box Depth</b>           | 25mm   |
| <b>Warranty</b>                 | 20 Years   |
| <b>Anti Microbial Certified</b> | Yes  |
| <b>Operational Temperature</b>  | -5° to +40° C  |
| <b>Standards</b>                | The Low Voltage Directive 2006/95/EC,<br>Modified ISO 22196,<br>BS 1363-4:1995+A4:2012.<br>Fuses to BS 1362:1973   |
| <b>Dimensions</b>               | 86x86x10mm (HxWxD)   |