

SPA105

Type 1 Class 1

Surge Arrester



The SPA105 is a Type 1 lightning arresters according to EN 61643-11.

These arresters are recommended for use in the Lightning Protection Zones Concept at the boundaries of LPZ 0 – 1 (according to IEC 1312-1 and EN 62305) for lightning current equipotential bonding and elimination of switching surges that originate in power supply systems entering the building. The main use of these arresters is structures of LPL III to IV according to EN 62305.

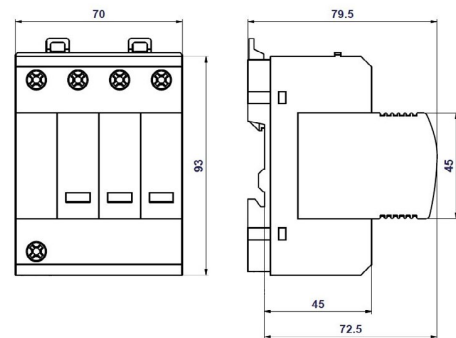
These arresters are mainly intended for use in TNS, TNC-S or TT systems. They are modular devices and replaceable modules are available.



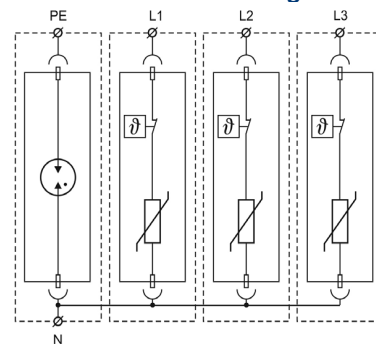
SPA105

Specification		
Max. continuous operating voltage	U_c	275 V
Lightning impulse current (10/350) L/N - charge - specific energy	I_{imp} Q W/R	12.5 kA 6.25 As 39 kJ/ Ω
Lightning impulse current (10/350) N/PE - charge - specific energy	I_{imp} Q W/R	50 kA 25 As 625 kJ/ Ω
Total lightning current (10/350) L1+L2+L3+N to PE	I_{total}	50 kA
Nominal discharge current (8/20)	I_n	20 kA
Max. discharge current (8/20)	I_{max}	40 kA
Temporary overvoltage (TOV) L/N	U_t	335 V/5 sec
Temporary overvoltage (TOV) N/PE	U_t	1200 V/0.2 sec
Response time L/N	t_A	< 25 ns
Response time N/PE	t_A	< 100 ns
Voltage protection level	U_p	< 1.2 kV
Max: back-up fuse (gL/gG; MCB - 'C' Curve)		160 A
Short circuit withstand (at Max. fuse rating)	I_p	60 kA
Remote Signalling		Yes
Type / Class		1/2 - I/II
Mass	m	550g
Life		100000h Min.
Part code		SPA105

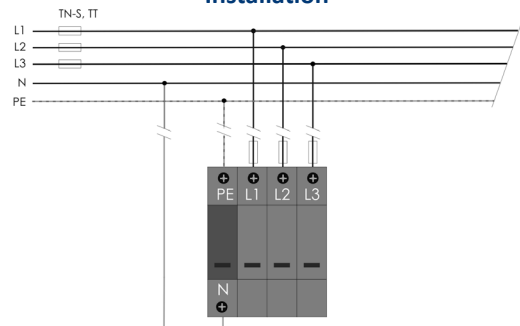
Dimensions in mm



Internal wiring



Installation



Revision: ANW-v5, 11/12/19
Information subject to change without notice.

All of the above information, including drawings, illustrations and graphic designs, reflects our present understanding and is to the best of our knowledge and belief correct and reliable. Users, however, should independently evaluate the suitability of each product for the desired application.

A. N. WALLIS & Co. Ltd • Greasley Street • Bulwell • Nottingham • East Midlands • NG6 8NG • United Kingdom
Tel +44 (0)115 927 1721 • E-mail info@an-wallis.com • Website www.an-wallis.com



FM 73972 OHS 654406