

SPA214

Type 2 (Test Class II)

Photovoltaic Surge Arrester



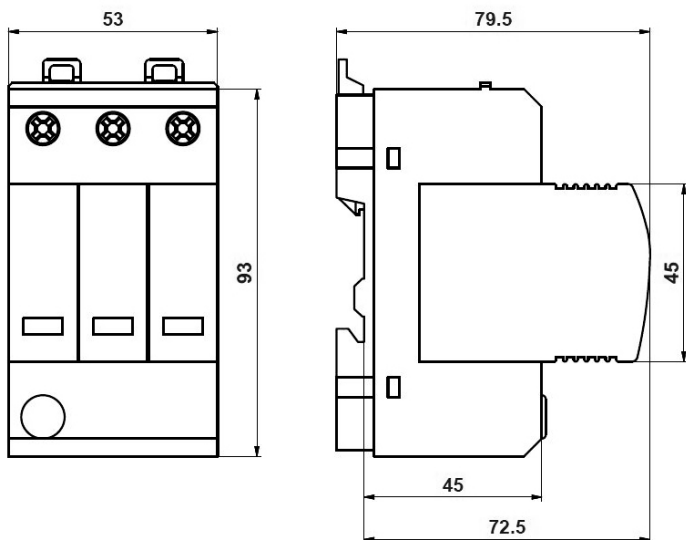
The **SPA214** is a type 2 (according to EN 61643-11) photovoltaic surge arrester. This complete device consists of a base part and pluggable modules. These arresters are recommended for use in the Lightning Protection Zones Concept at the boundaries of LPZ 1-2 (according to IEC 1312-1 and EN 62305) for equipotential bonding of positive and negative busbars of photovoltaic systems and elimination of transient overvoltage that originate during atmospheric discharges or switching processes.

Specifications		
Max. continuous operating voltage DC	U_C	600 V DC
Short-circuit withstand capability	I_{SCWPV}	100 kA
Max. discharge current (8/20)	I_{max}	40 kA
Nominal impulse discharge current (8/20)	I_n	20 kA
Voltage protection level at I_n	U_p	<2.6kV
Response time	t_A	<25ns
Weight	m	270g
Lifetime	min. 100,000h	
Part Code	SPA214	

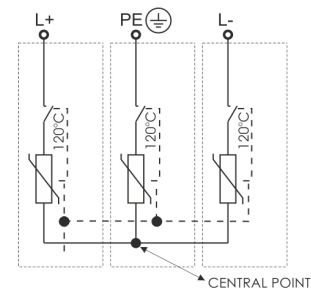


SPA214

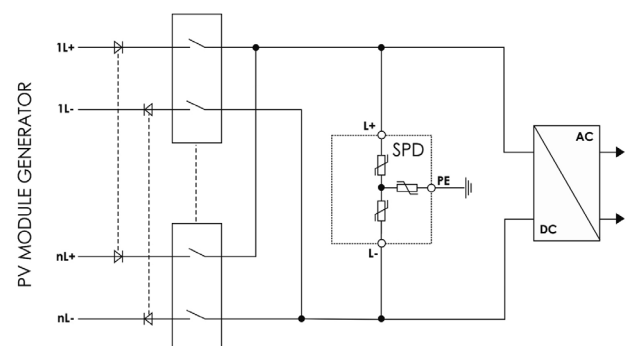
Dimensions in mm



Internal Wiring Diagram



Installation Diagram



All of the above information, including drawings, illustrations and graphic designs, reflects our present understanding and is to the best of our knowledge and belief correct and reliable. Users, however, should independently evaluate the suitability of each product for the desired application.

A. N. WALLIS & Co. Ltd • Greasley Street • Bulwell • Nottingham • East Midlands • NG6 8NG • United Kingdom
 Tel +44 (0)115 927 1721 • E-mail info@an-wallis.com • Website www.an-wallis.com



FM 73972 OHS 654406