

SPA108

Type 2 (Test Class II)

Photovoltaic Surge Arrester



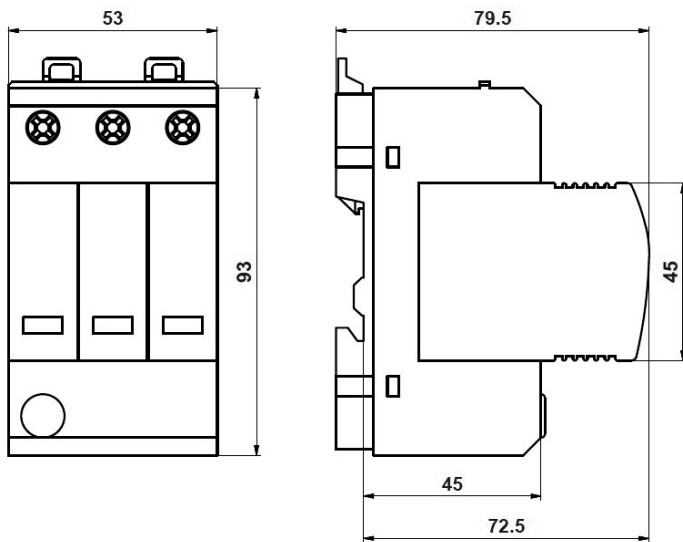
The SPA108 is a type 2 (according to EN 61643-11) photovoltaic surge arrester. This complete device consists of a base part and pluggable modules. These arresters are recommended for use in the Lightning Protection Zones Concept at the boundaries of LPZ 1-2 (according to IEC 1312-1 and EN 62305) for equipotential bonding of positive and negative busbars of photovoltaic systems and elimination of transient overvoltage that originate during atmospheric discharges or switching processes.



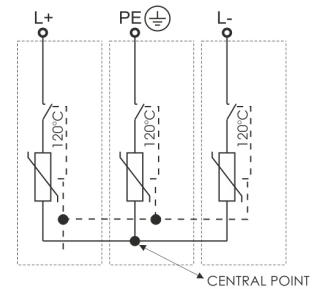
SPA108

Specifications		
Max. continuous operating voltage DC	U_c	1050 V DC
Short-circuit withstand capability	I_{SCWPV}	100 kA
Max. discharge current (8/20)	I_{max}	40 kA
Nominal impulse discharge current (8/20)	I_n	15 kA
Voltage protection level at I_n	U_p	<3.8kV
Response time	t_A	<25ns
Weight	m	420g
Lifetime		min. 100,000h
Part Code	SPA108	

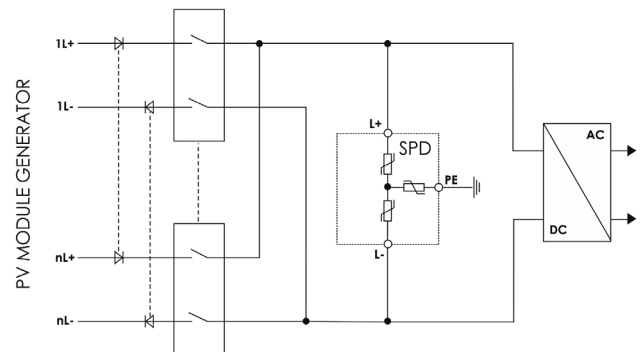
SPA108 Dimensions in mm



Internal Wiring Diagram



Installation Diagram



Revision: ANW-v3, 26/07/18
Information subject to change without notice.

All of the above information, including drawings, illustrations and graphic designs, reflects our present understanding and is to the best of our knowledge and belief correct and reliable. Users, however, should independently evaluate the suitability of each product for the desired application.

A. N. WALLIS & Co. Ltd • Greasley Street • Bulwell • Nottingham • East Midlands • NG6 8NG • United Kingdom
Tel +44 (0)115 927 1721 • E-mail info@an-wallis.com • Website www.an-wallis.com

