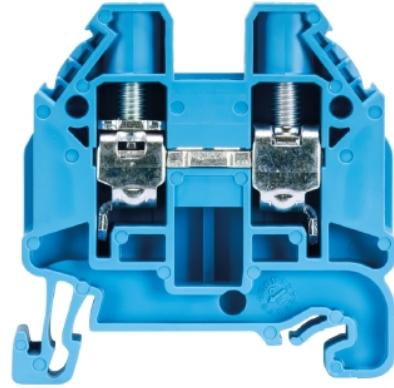


## Data sheet

Commercial Art.No.: 58.510.0055.6

Feed-through terminal WT 10 BL

Feed-through terminal with Screw connection for mounting on TS 35, nominal cross section: 10 mm<sup>2</sup>, width: 10 mm, color: blue



Commercial Art.No.	58.510.0055.6
EAN	4049088165115
Order Unit	50

Certificates / Approvals



SEV-Ex



## Technical data

### General

Nominal cross section	10 mm <sup>2</sup>
Color	Blue
Number of levels	1
Number of clamp positions per level	2
Width/grid dimension	10 mm
Insulating housing	PA666
Inflammability class of insulation material acc. with UL94	V0
Mounting method	DIN rail (top hat rail)
Terminal blocks for electrical installations	yes

### Technical data

Rated current	57 A
Rated voltage	1000 V
Rated impulse voltage	8 kV
Pollution degree	3
Closing plate required	yes
Type of insulation material	Thermoplastic
Length	48 mm

### Connection Data

Connection type 1	screw connection
Connection type 2	screw connection

Minimum cross section solid	0.5 mm <sup>2</sup>
Maximum cross section solid	16 mm <sup>2</sup>
Minimum cross section fine stranded	0.5 mm <sup>2</sup>
Maximum cross section fine stranded	16 mm <sup>2</sup>
Minimum cross section stranded	16 mm <sup>2</sup>
Maximum cross section stranded	16 mm <sup>2</sup>
Minimum conductor cross section (flex., stranded) with cable end sleeve	0.5 mm <sup>2</sup>
Maximum conductor cross section (flex., stranded) with cable end sleeve	10 mm <sup>2</sup>
Wire strip length	13 mm
Torque conductor mounting	1.2 Nm

#### Technical Data UL/CSA

Cross section UL	20-6 AWG
Voltage UL	600 V
Current factory wiring	65 A
Current field wiring	65 A
Cross section CSA	20-6 AWG
Voltage CSA	600 V
Current CSA	65 A

#### Classification

ECLASS 11	
ECLASS 8.1	27141120
ETIM 7.0	EC000897
ETIM 6.0	EC000897
ETIM 5.0	EC000897
ETIM 4.0	EC000897

#### Product compliance

ROHS conformity status	Compliant
REACH-SVHC conformity status	Compliant

#### Accessories

Commercial Art.No.:	Article-type description:	Description:
Z7.283.8227.0	Jumper bar IVBWKF 10- 2	Cross connector, insulated for DIN rail terminal blocks type WKF..., 2 - pole
98.300.0000.0	Mounting rail TS 35x7,5 UNPERF - l:2000mm	Mounting rail TS 35, unslotted, size 7,5 mm, length 2 m, material steel. galv. zinc-plated and dichromated
98.300.1000.0	Mounting rail TS 35x7,5 PERF 15mm - l:2000mm	Mounting rail TS 35, slotted, size 7,5 mm, length 2 m, material steel. galv. zinc-plated and dichromated
98.300.1900.0	Mounting rail TS 35x7,5 PERF 25mm - l:2000mm	Mounting rail TS 35, slotted, size 7,5 mm, length 2 m, material steel. galv. zinc-plated and dichromated
98.360.0000.0	Mounting rail TS 35x15-2,3 UNPERF - l:2000mm	Mounting rail TS 35, unslotted, size 15 mm, length 2 m, material steel. galv. zinc-plated and dichromated
98.360.0004.0	Mounting rail TS 35x15-2,3 UNPERF FZN - l:2000mm	Mounting rail TS 35, unslotted, size 15 mm, length 2 m, material steel, hot galvanized
98.370.0000.0	Mounting rail TS 35x15 UNPERF - l:2000mm	Mounting rail TS 35, unslotted, size 15 mm, length 2 m, material steel. galv. zinc-plated and dichromated

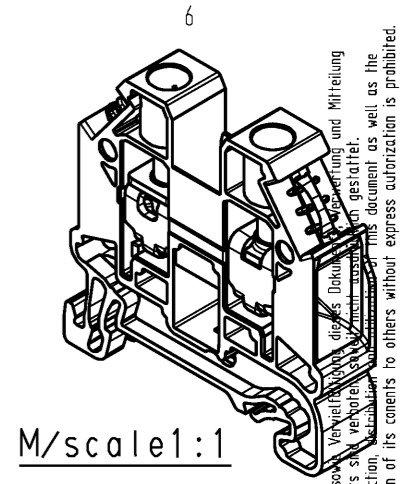
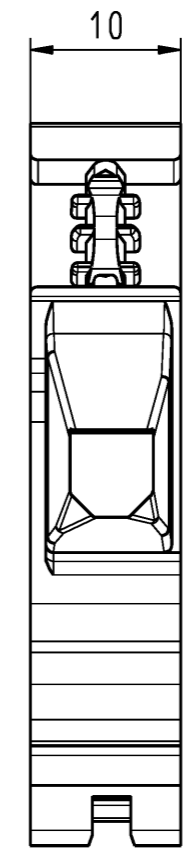
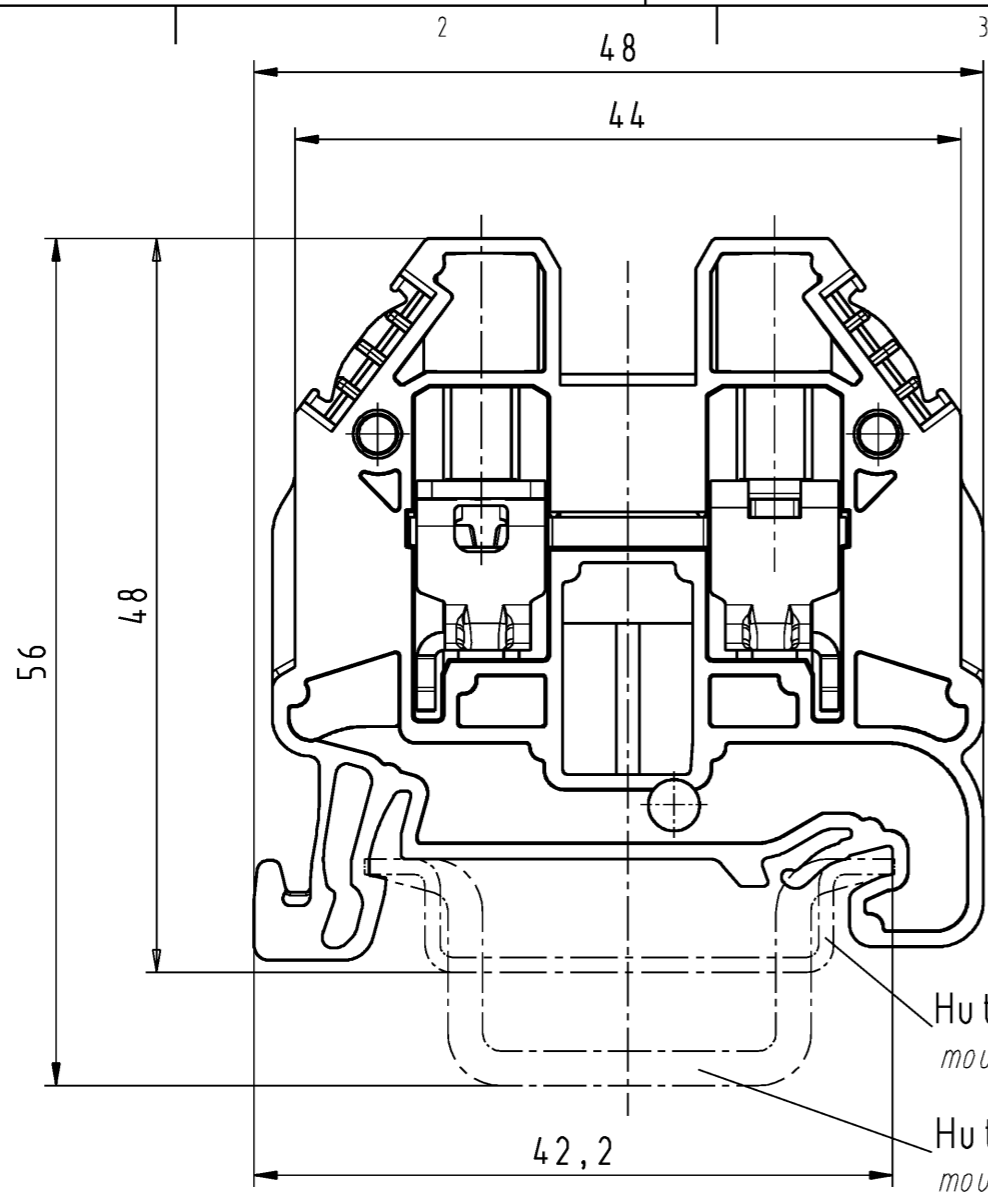
98.370.1000.0	Mounting rail TS 35x15 PERF 15mm - l:2000mm	Mounting rail TS 35, slotted, size 15 mm, length 2 m, material steel. galv. zinc-plated and dichromated
98.380.0000.0	Mounting rail TS 35x15-2,3 UNPERF CU - l:2000mm	Mounting rail TS 35, unslotted, size 15 mm, length 2 m, material E copper
07.313.2555.0	End plate AP WT 2,5-10 GR	End plate for DIN rail terminal blocks type WT 2,5..., color: grey
07.313.2655.0	Partition TW WT 2,5-10 GR	Partition for DIN rail terminal blocks type WT 2,5, WT 4, WT 6 and WT 10..., color: grey
98.300.1800.0	Mounting rail TS 35x7,5 PERF 18mm - l:2000mm	Mounting rail TS 35, slotted, size 7,5 mm, length 2 m, material steel. galv. zinc-plated and dichromated
04.242.5053.0	Marking tag strips 9705 A / 5 / 10	Marking tag strips for DIN rail terminal blocks type 9700 A / 5..., 10 tags per strip, color: blue, unmarked, markable with Wieplot plotter-system

A Weitergabe sowie Vervielfältigung dieses Dokuments, Verwertung und Mitteilung seines Inhalts sind verboten, soweit nicht ausdrücklich gestattet. The reproduction, distribution and utilization of this document as well as the communication of its contents to others without express authorization is prohibited.

B These dimensions will be especially checked at delivery  
 Only inspection dimensions  
 With /E marked dimensions are only valid for internal use

D Diese Maße werden bei Abnahme besonders geprüft  
 Ausschließlich Prüfmaße  
 Mit /E gekennzeichnete Maße sind nur für interne Zwecke gültig

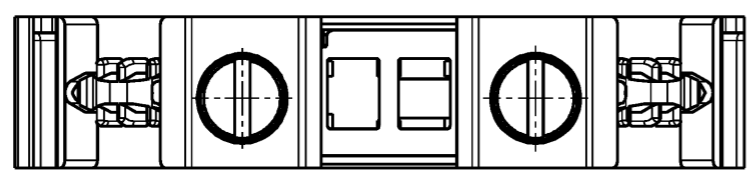
F



Weitergabe sowie Vervielfältigung dieses Dokuments, Verwertung und Mitteilung seines Inhalts sind verboten, soweit nicht ausdrücklich gestattet. The reproduction, distribution and utilization of this document as well as the communication of its contents to others without express authorization is prohibited.

Teile-Nr./part no.	Farbe/color	Typ/type
58.510.0055.0	grau/grey	WT 10
58.510.0055.1	schwarz/black	WT 10 SW
58.510.0055.2	weiß/white	WT 10 WS
ⓐ 58.510.0055.3	schiefergrau/slate grey	WT 10 GR
58.510.0055.4	braun/brown	WT 10 BR
58.510.0055.5	rot/red	WT 10 RT
58.510.0055.6	blau/blue	WT 10 BL
58.510.0055.7	grün/green	WT 10 GN
58.510.0055.8	gelb/yellow	WT 10 GE
58.510.0055.9	orange/orange	WT 10 OR

Weitere Daten siehe KATALOG oder eKatalog [www.wieland-electric.com](http://www.wieland-electric.com)  
 additional data see CATALOG or eCATALOG [eshop.wieland-electric.com](http://eshop.wieland-electric.com)



Tolerierung Size ISO 14405 ⓐ / Tolerance system Size ISO 14405 ⓐ (This ISO-standard describes the envelope principle. According to the envelope principle the deviations of form and parallelism are limited by the size tolerances).		ja/yes <input checked="" type="checkbox"/> Stoffverbots- und Deklarationsliste nach WN 5020.010 ist einzuhalten. Conformity with Wieland document WN 5020.010 e (list of prohibited / declarable hazardous substances) to be declared!	
Freitoleranz nach General tolerance		CAD - Zeichnung, keine manuellen Änderungen CAD - drawing, no manual modifications allowed	1. Verwendung: First Use:
Blatt: 1 von 1 Sheet: 1 of 1			
Werkstoff / Material		Tag/Date	Name
Maßstab / Scale		gezeichnet drawn	21.01.2013 Eller
2:1		geprüft checked	
Vol. mm <sup>3</sup> / fl./Srf. mm <sup>2</sup>		Normgepr. Stand. check	
Ersatz für / Replacement for:		Zeichnung Nr. / Drawing No.	
a		T 58.510.0055.0 01K a	
Datum / Blatt Date / Sheet		Maße in mm / Dimensions are in mm	
22.03.2017 /			
www.wieland-electric.com		Type	
Änderung / Revision		Benennung/Title	
		DURCHGANGSKLEMME through terminal	