



ATLAS-MINI LED SLIMLINE FLOODLIGHT



This instruction sheet is relevant to Phoebe LED Atlas-Mini LED Slimline Floodlights with part codes: 12554, 12561, 12578, 12585, 12592, 12608, 12615, 12622

THANK YOU for buying this PHOEBE LED product. To help ensure this luminaire gives complete satisfaction please only use it according to the following instructions, and then pass the instructions to the appropriate person for retention and future reference.

Warning

1. Installation only to be carried out by a qualified electrician
2. Please ensure surface is suitable and capable of holding the lamp weight
3. Do not operate if product is damaged
4. Suitable for use outdoors IP65 rating
5. This product is not suitable for fire rated installations



Environmental Protection

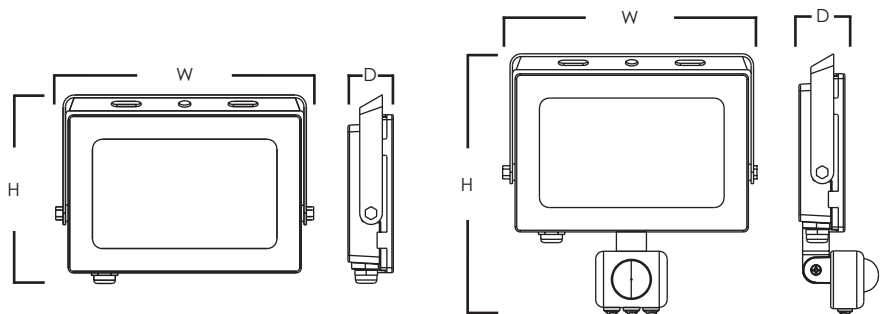
Waste electrical products should not be disposed of with household waste. Please recycle where facilities exist. Check with your Local Authority or retailer for recycling advice.

Specifications:

| Part Codes | PIR sensor fitted | Wattage | Voltage | Power Factor | IP Rating | IK Rating | Useful Lumens | Total Lumens | Cable | Insulation | Ambient Operating Temp |
|------------|-------------------|---------|---------|--------------|-----------|-----------|---------------|--------------|--------------------------------------|------------|------------------------|
| 12554 | No | 10W | | >0.9 | | | 660lm | 750lm | | | |
| 12561 | No | 20W | | >0.9 | | | 1350lm | 1500lm | | | |
| 12578 | No | 30W | | >0.9 | | | 2090lm | 2200lm | | | |
| 12585 | No | 50W | 240V | >0.9 | | | 3290lm | 4000lm | | | |
| 12592 | Yes | 10W | 50/60Hz | >0.8 | IP65 | IK08 | 660lm | 750lm | VDE H05RN-F 3G 1.0mm ² | Class I | -20°C to 40°C |
| 12608 | Yes | 20W | | >0.9 | | | 1350lm | 1500lm | | | |
| 12615 | Yes | 30W | | >0.9 | | | 2090lm | 2200lm | | | |
| 12622 | Yes | 50W | | >0.9 | | | 3290lm | 4000lm | | | |

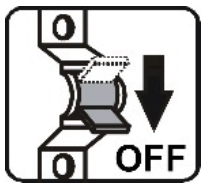
Dimensions:

| Part Codes | Wattage | Width (W) | Height (H) | Depth (D) |
|------------|---------|-----------|------------|-----------|
| 12554 | 10W | 132mm | 97mm | 26mm |
| 12561 | 20W | 165mm | 116mm | 28mm |
| 12578 | 30W | 200mm | 140mm | 29mm |
| 12585 | 50W | 250mm | 173mm | 32mm |
| 12592 | 10W | 132mm | 154mm | 55mm |
| 12608 | 20W | 165mm | 169mm | 55mm |
| 12615 | 30W | 200mm | 194mm | 55mm |
| 12622 | 50W | 250mm | 228mm | 55mm |



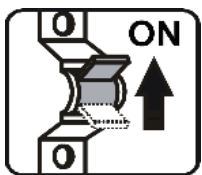
BEFORE YOU START PLEASE READ ALL THE INSTRUCTIONS CAREFULLY

PRIOR TO INSTALLATION



Turn power off at the mains

ONLY ONCE INSTALLATION IS COMPLETE



Turn power back on at the mains

CIRCUIT TESTING

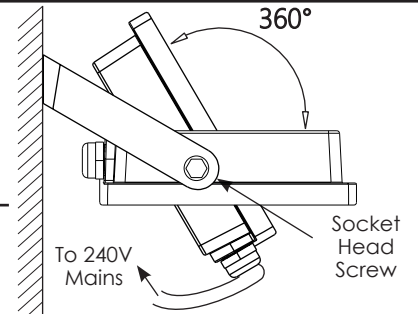
For high voltage circuit insulation testing disconnect mains input supply first
(Do not circuit test using a Megger)

Fitting:

1. Mark drill points and drill fixing holes and hole for power cable (if required)
2. Align luminaire and fix in place surface using bolts/ fixtures suitable for chosen surface, the angled bracket allows access to mounting points without the need to disassemble the fitting

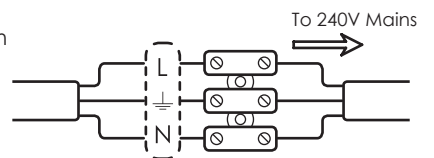
Angle Adjustment:

1. Angle floodlight to desired angle
2. Tighten socket head screw to prevent unit from moving



Wiring Instructions:

1. Installation only to be carried out by a qualified electrician
2. 240V mains cable connection should be made with a suitable IP65 junction box
3. Connect power lead to 240V mains electricity in accordance with current wiring regulations

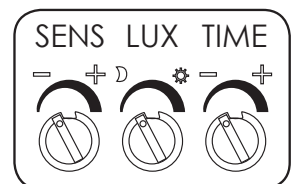


(see wiring diagram)

Operation Instructions (for PIR Sensor Only):

- The monitoring angle is up to 120°
- Depending on the angle of the sensor the monitoring range has a maximum detection distance of 8m
- Lighting time length can be adjusted from 10 seconds (±3 sec) turning clockwise up to 7 minutes (±2 min) after detection
- Dusk-til-Dawn detection can be manually adjusted by turning the LUX dial to allow for light levels/time of year (for daylight sensor testing turn fully to sun position)
- Sensitivity of the motion sensor can be changed by adjusting the SENS dial effective range 5m to 10m

Settings are on the Bottom of the PIR



Images are for information only. Phoebe LED shall not be held liable for improper operation of the luminaire in circumstances where procedures and specifications have not been followed correctly.

Tel: +44 (0)1274 657 088 Fax: +44 (0)1274 657 087 Web: www.cromptonlamps.com