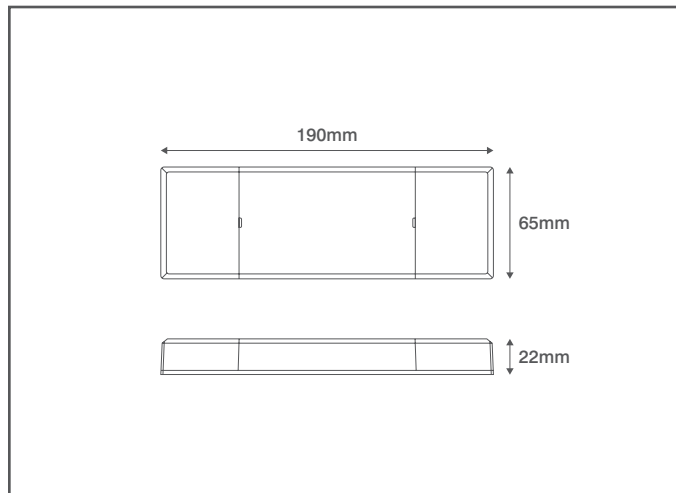


# ACCESSORIES

## Technical Specification

Product Code: OVCG24V90IP20

Description: 90W 24V Constant Voltage LED Driver – Compact



### General Information

Dimensions	190mm (L) x 65mm (W) x 22mm (D)
Materials	Housing: Polycarbonate
Finish	White
Product Weight	0.254Kg
Dimmable	No
Ingress Protection	IP20
Warranty	5 Years

### Supply & Power

Input Voltage & Frequency	220-240V~ 50/60Hz
Electrical Safety	Class II (Double Insulated)
Rated Power	90W Max.
Ambient Temperature (Ta)	-25°C - +45°C
Critical Temperature	+90°C
Cable Size	0.75mm <sup>2</sup> -1.5mm <sup>2</sup> (Input)
Input Terminations	Push-fit Terminals

### Input Information

Input Current	≤55mA
Input Power	<100W
Power Factor	≥0.95
16A Circuit Breaker	Type B: 10
Inrush Current	<50A/280μs

### Output Information

Output Voltage	24V DC
Output Current	0-3750mA
Output Power (Max.)	90W
Efficiency	≥90%

### Protection

Short Circuit Protection	Auto Recovery
Overload Protection	Auto Recovery
No Load Protection	Auto Recovery
Insulation Voltage	3000V 5mA 60S between P-S
Insulation Resistance	>100M Ohm @ 500VDC
Leakage Current	<250μA, I/P to PE @230V~ input
Flicker Free	Yes

