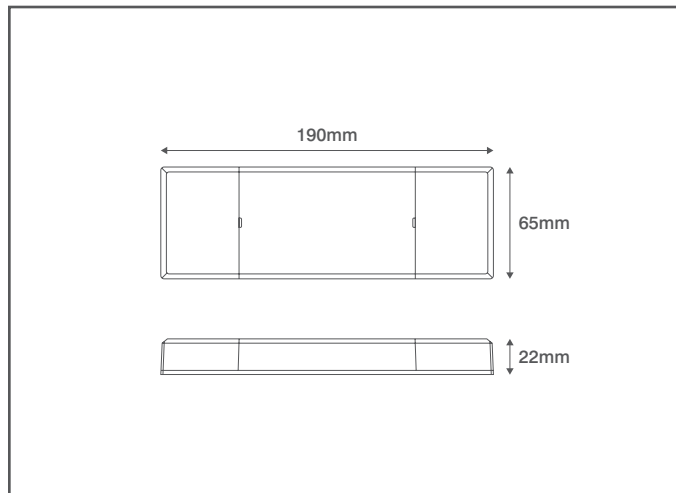


ACCESSORIES

Technical Specification

Product Code: OVCG24V120IP20

Description: 120W 24V Constant Voltage LED Driver – Compact



General Information

Dimensions	190mm (L) x 65mm (W) x 22mm (D)
Materials	Housing: Polycarbonate
Finish	White
Product Weight	0.27Kg
Dimmable	No
Ingress Protection	IP20
Warranty	5 Years

Supply & Power

Input Voltage & Frequency	220-240V~ 50/60Hz
Electrical Safety	Class II (Double Insulated)
Rated Power	120W Max.
Ambient Temperature (Ta)	-25°C - +45°C
Critical Temperature	+90°C
Cable Size	0.75mm ² -1.5mm ² (Input)
Input Terminations	Push-fit Terminals

Input Information

Input Current	≤75mA
Input Power	<133W
Power Factor	≥0.95
16A Circuit Breaker	Type B: 8
Inrush Current	<60A/280μs

Output Information

Output Voltage	24V DC
Output Current	0-5000mA
Output Power (Max.)	120W
Efficiency	≥91%

Protection

Short Circuit Protection	Auto Recovery
Overload Protection	Auto Recovery
No Load Protection	Auto Recovery
Insulation Voltage	3000V 5mA 60S between P-S
Insulation Resistance	>100M Ohm @ 500VDC
Leakage Current	<250μA, I/P to PE @230V~ input
Flicker Free	Yes

