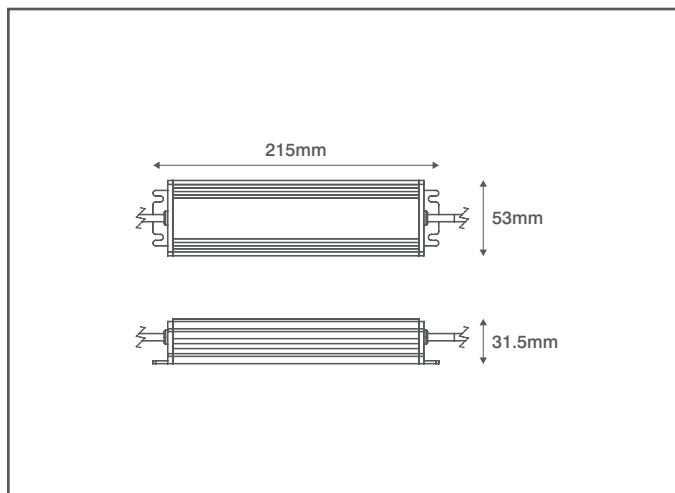


# ACCESSORIES

## Technical Specification

Product Code: OVCG24V150IP67

Description: 150W 24V Constant Voltage LED Driver – IP67 - Compact



### General Information

Dimensions	215mm (L) x 53mm (W) x 31.5mm (D)
Materials	Housing: Aluminium
Finish	Aluminium
Product Weight	0.61Kg
Dimmable	No
Ingress Protection	IP67
Warranty	5 Years

### Supply & Power

Input Voltage & Frequency	100-277V~ 50/60Hz
Electrical Safety	Class I
Rated Power	150W Max.
Ambient Temperature (Ta)	-25°C - +50°C
Critical Temperature	+90°C
Cable Size	300mm x 3G 1.0mm <sup>2</sup> H05RN-F
Input Terminations	Pre-wired Cables, Stripped With Tinned Ends

### Input Information

Input Current	0.8A
Power Factor	≥0.95
16A Circuit Breaker	Type B: 4
Inrush Current	60A/ <0.8mS

### Output Information

Output Voltage	24V DC
Output Current	0-6300A
Output Power (Max.)	151.2W
Efficiency	≥93%

### Protection

Short Circuit Protection	Hiccup, Auto recovery. The output recovers when short circuit is removed
Over Current Protection	Hiccup, Auto recovery
Over Voltage	Hiccup, Auto recovery
Over Temperature	Hiccup, Auto recovery
Insulation Resistance	3.75KVac/5mA/60S Primary to Secondary, 1.5KVac/5mA/60S Primary to Earth
Insulation Resistance	> 100M Ohm @ 500VDC Primary to Earth
Flicker Free	Yes

